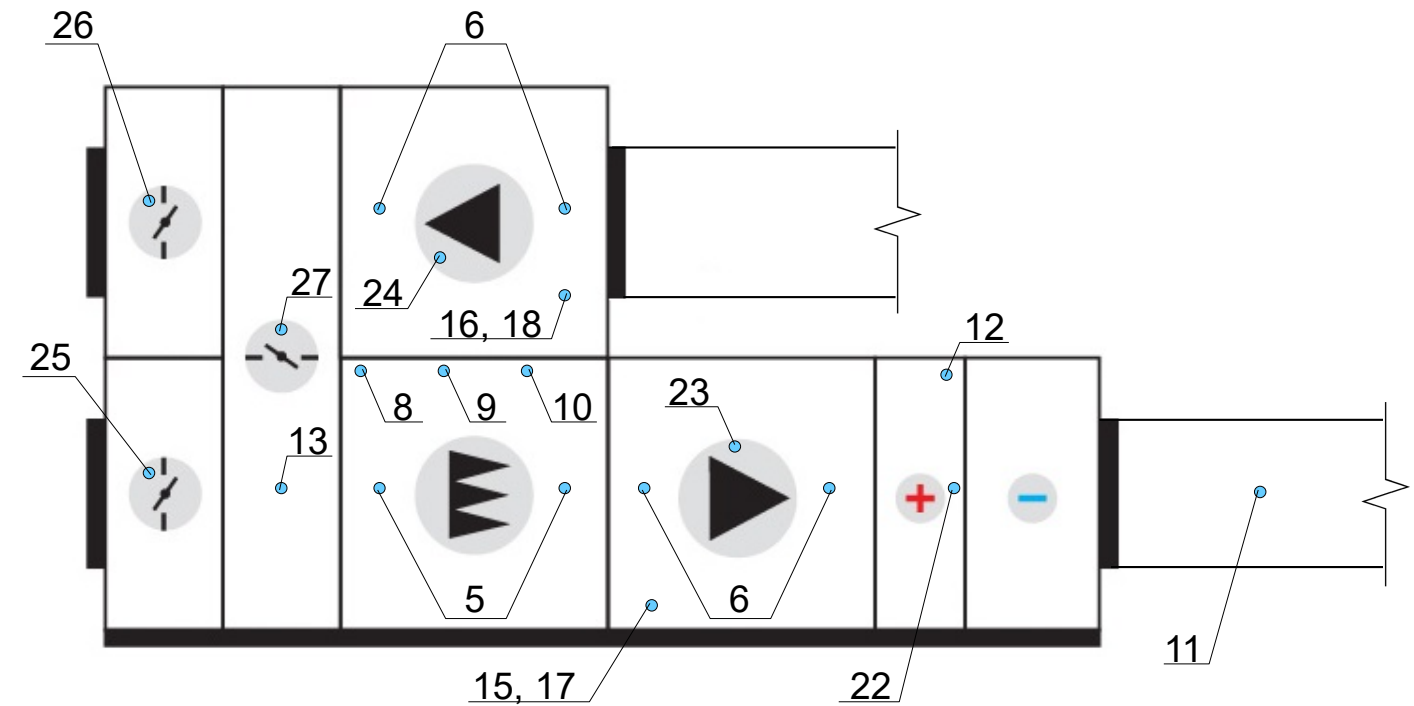
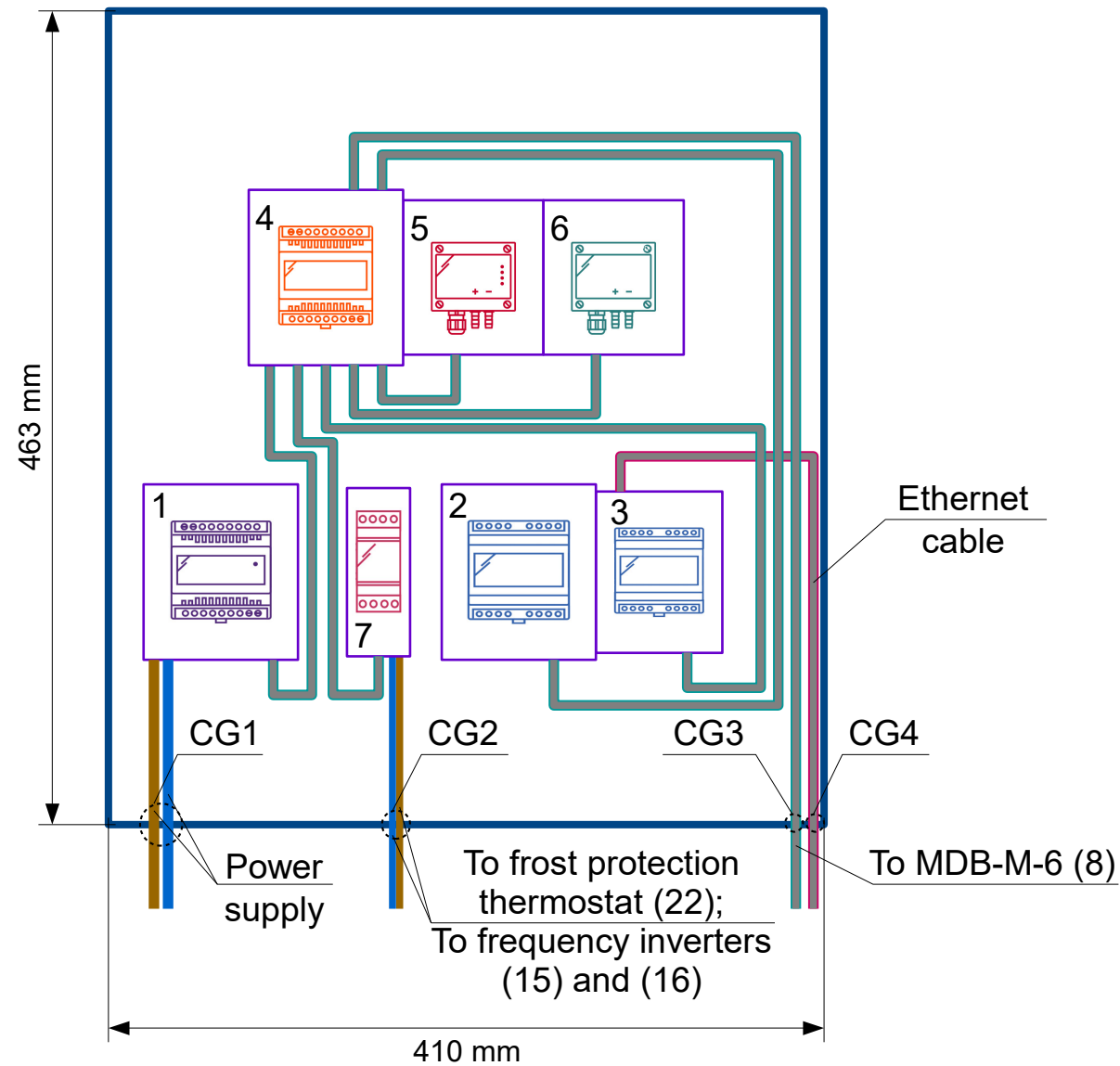


⚠ Consult the external product manufacturers for the correct wiring.
⚠ First connect the products, then download the firmware for this solution ID via SenteraWeb.
The firmware will be automatically downloaded in the connected device(s).

Sentera products		External products
Article codes		
1) DRPS8-24-40	12) DTP-M	22) Frost protection thermostat
2) DRPUM	13) DSTHM-2 (AWP-10-13-13)	23) AC fan (supply)
3) DIG-M-2	14) ODTHM (AWP-10-13-13)	24) AC fan (exhaust)
4) DMDBM22	15) FI-E44095E2	25) Supply air damper actuator
5) HPS-M-1K0-2 (PSET-PVC-200)	16) FI-E44095E2	26) Exhaust air damper actuator
6) HPD-G-1K0 (2xPSET-PVC-200)	17) ADPT-3SM-FI	27) Recirculation damper actuator
7) DIO-M-R2	18) ADPT-3SM-FI	28) 3-way valve actuator (air cooler)
8) MDB-M-6	19) RSTHM-2	29) 3-way valve actuator (air heater)
9) MDB-M-6	20) ADPT-3RJ-TB	30) Water pump
10) MDB-M-6	21) ADPT-3RJ-TB	31) Chiller
11) DSTHM-2 (AWP-10-13-13)		

This document is to be treated as an example or guideline only.
 Sentera bears no responsibility for any misprints, misinterpretations or mistakes in this document.
 Consult our disclaimer on <https://www.sentera.eu/>

Control solution box



AHU overview with control and measuring equipment

! Consult the external product manufacturers for the correct wiring.
First connect the products, then download the firmware for this solution ID via SenteraWeb.
The firmware will be automatically downloaded in the connected device(s).

Sentera products		External products
Article codes		
1) DRPS8-24-40	12) DTP-M	22) Frost protection thermostat
2) DRPUM	13) DSTHM-2 (AWP-10-13-13)	23) AC fan (supply)
3) DIG-M-2	14) ODTHM (AWP-10-13-13)	24) AC fan (exhaust)
4) DMDBM22	15) FI-E44095E2	25) Supply air damper actuator
5) HPS-M-1K0-2 (PSET-PVC-200)	16) FI-E44095E2	26) Exhaust air damper actuator
6) HPD-G-1K0 (2xPSET-PVC-200)	17) ADPT-3SM-FI	27) Recirculation damper actuator
7) DIO-M-R2	18) ADPT-3SM-FI	28) 3-way valve actuator (air cooler)
8) MDB-M-6	19) RSTHM-2	29) 3-way valve actuator (air heater)
9) MDB-M-6	20) ADPT-3RJ-TB	30) Water pump
10) MDB-M-6	21) ADPT-3RJ-TB	31) Chiller
11) DSTHM-2 (AWP-10-13-13)		

Additional product mounting guidelines and explanations

<p>ODTHM The outside temperature sensor must be located on the wall of the house or building, but preferably not directly exposed to the sun. In case of doubt, it should be mounted on the wall facing north or north-west. Preferably in the middle of the house or building or heating zone, but at least 1.5m above the ground. To protect this sensor from too bright sun, rain or snow, use a special cover cap (AWP-10-13-13). Please, avoid following locations: above windows, doors or other places where direct air circulation occurs; air exhaust or other heat sources; below balconies or the eave of the roof.</p> <p>HPS-M-1K0-2, HPD-G-1K0, PSET-PVC-200 When installing PVC tubes, it's important to ensure proper sealing and secure connections to prevent air leakage, which could affect the accuracy of the pressure measurements. Additionally, the tubes should be installed in a way that minimizes bends and obstructions to maintain a smooth airflow path, ensuring reliable and consistent readings from the differential pressure sensor. Keeping the length of the tube to a minimum is preferable.</p> <p>DTP-M The temperature sensor must be located on the return pipe of the air heater. To ensure reliable frost protection, it should be placed close to the air heater. Make sure to secure the unit tightly using the cable tie included in the set. A proper insulation of DTP-M installation place should be provided in order to prevent external temperature influences.</p> <p>DSTHM-2 (air heater) The temperature sensor must be located on the supply ventilation duct. The unit must not be installed in turbulent air zones. Ensure sufficiently long settling zones upstream and downstream of the tapping point. A settling zone consists of a straight section of pipe or duct with no obstructions. Avoid installation near filters, cooling coils, fans, humidifiers, etc. The sensor will achieve the optimal result when the measurement is taken at least 7,5 duct diameters downstream and at least 3 duct diameters upstream from any turns or flow obstructions. To protect this sensor from too bright sun, rain or snow, use a special cover cap (AWP-10-13-13).</p> <p>DSTHM-2 (recirculation) The temperature sensor must be located inside the mixing chamber of the AHU. It should be placed close to the center of the air flow. To protect this sensor from too bright sun, rain or snow, use a special cover cap (AWP-10-13-13).</p> <p>MDB-M-6 The distribution box is rated with an IP65 protection level. MDB-M-6 can be mounted on the internal or external wall of the air handling unit. Please note that the additional mounting equipment should be provided by the installer.</p> <p>ADPT-3RJ-TB The adapter features one terminal block and three RJ45 sockets. All 4 connection points are interconnected. ADPT-3RJ can be used to extend the existing installation.</p>	<p>FI-E44095E2 The frequency inverter should be mounted in a vertical position only, ensuring it is securely placed on a flat, flame-resistant surface that is free from vibrations. Utilize the integral mounting holes or DIN Rail clip for proper installation. Additionally, it is crucial to provide a consistent flow of clean, moisture-free cooling air to meet the specific cooling requirements of the frequency inverter. This not only prolongs the lifespan of the inverter but also ensures optimal performance under varying conditions. Care should be taken to monitor and maintain the ambient temperature within the permissible limits to prevent any overheating issues. The featured solution implies installation of the frequency inverters in the fan section of the AHU. The advantages of this approach are listed below: Space Optimization. Integration within the AHU saves space by eliminating the need for an additional space in the electrical cabinet, making the overall setup more compact and efficient. Reduced Cable Length. Direct integration within the AHU minimizes cable lengths, decreasing electrical losses and electromagnetic interference, thereby enhancing overall system efficiency. Enhanced Control and Responsiveness. Proximity to the fan motor allows for more precise control, enabling better responsiveness to varying loads and improving energy efficiency by adjusting motor speed accurately. Cost Efficiency. By eliminating the need for an external cabinet and associated components, direct integration might result in cost savings during installation and setup.</p> <p>Conversely, frequency inverters can be installed in the electrical cabinet, however it presents certain considerations: Heat Dissipation. In an enclosed cabinet, heat dissipation might become a concern, especially if the inverter generates significant heat during operation. Inadequate cooling or ventilation within the cabinet can lead to overheating issues, affecting the inverter's efficiency and lifespan. Vibration and Shock. Vibrations and shocks from other electrical components within the cabinet or external factors can affect the inverter's stability and performance, potentially leading to malfunctions or reduced lifespan. Interference and Noise. The presence of other electrical equipment in the cabinet might introduce electromagnetic interference, causing noise or interference that could affect the inverter's performance and reliability. Complexity in Installation. Integrating the inverter within an electrical cabinet adds complexity to the installation process, requiring proper wiring, cable management, and ensuring compatibility with other components.</p> <p>Check the data sheets and mounting instructions on the Sentera website for more detailed information.</p>
--	---

Article code / equipment type	Slave ID
Sentera products	
DIG-M-2	n/a (master device)
DRPUM	2
ODTHM	3
DSTHM-2 (air heater)	4
DTP-M	5
DIO-M-R2	6
RSTHM-2	7
DSTHM-2 (recirculation)	8
HPS-M-1K0-2 (filter)	9
HPD-G-1K0 (supply and exhaust fans)	10
FI-E44095E2 (supply fan)	11
FI-E44095E2 (exhaust fan)	12
External products	
Supply air damper actuator	13
Exhaust air damper actuator	14
Recirculation damper actuator	15
3-way valve actuator (air heater)	16
3-way valve actuator (air cooler)	17
Water pump	18
Chiller	19

Consult the external product manufacturers for the correct wiring.
 First connect the products, then download the firmware for this solution ID via SenteraWeb.
 The firmware will be automatically downloaded in the connected device(s).

Sentera products		External products
Article codes		
1) DRPS8-24-40	12) DTP-M	22) Frost protection thermostat
2) DRPUM	13) DSTHM-2 (AWP-10-13-13)	23) AC fan (supply)
3) DIG-M-2	14) ODTHM (AWP-10-13-13)	24) AC fan (exhaust)
4) DMDBM22	15) FI-E44095E2	25) Supply air damper actuator
5) HPS-M-1K0-2 (PSET-PVC-200)	16) FI-E44095E2	26) Exhaust air damper actuator
6) HPD-G-1K0 (2xPSET-PVC-200)	17) ADPT-3SM-FI	27) Recirculation damper actuator
7) DIO-M-R2	18) ADPT-3SM-FI	28) 3-way valve actuator (air cooler)
8) MDB-M-6	19) RSTHM-2	29) 3-way valve actuator (air heater)
9) MDB-M-6	20) ADPT-3RJ-TB	30) Water pump
10) MDB-M-6	21) ADPT-3RJ-TB	31) Chiller
11) DSTHM-2 (AWP-10-13-13)		

This document is to be treated as an example or guideline only.
 Sentera bears no responsibility for any misprints, misinterpretations or mistakes in this document.
 Consult our disclaimer on <https://www.sentera.eu/>