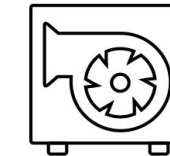


EVSS1-15-DM

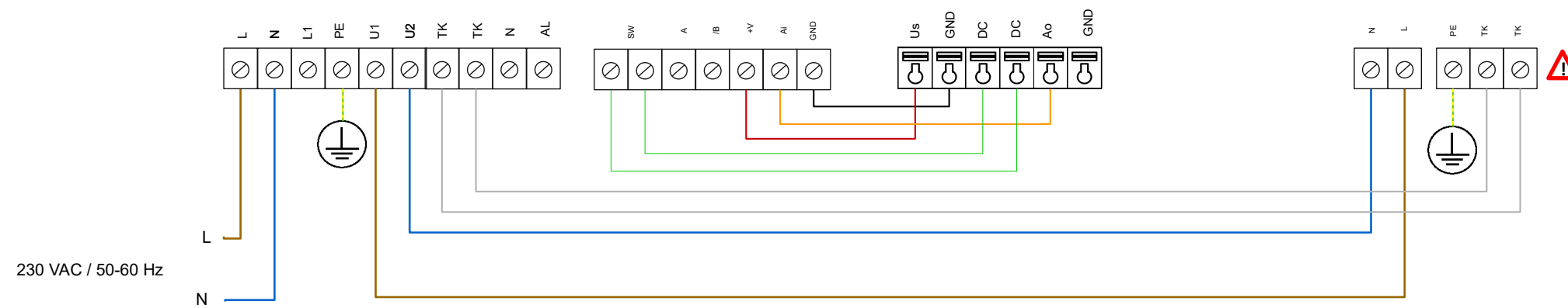


SDP-X10K-NA



AC fan – voltage controllable motor

1 phase Motor



Consult the fan manufacturer for the correct wiring.

Sentera products		External products	Parameters settings			
Article codes	Description	AC motor 1,5 A Remote variable speed control TK monitoring	Article codes	Parameters	Values	Descriptions
EVSS1-15-DM SDP-X10K-NA	Remote variable speed control for AC fans with single-phase motor. The maximum motor current is 1,5 A. Typically, this solution is used to control AC fans or pumps in HVAC applications. The motor speed can be selected via the external potentiometer. At zero position, the motor stops. The TK monitoring function disables the motor in case of overheating. It is advisable to limit cable length between potentiometer and fan speed controller.					