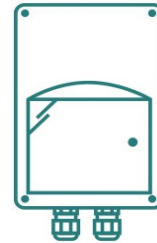


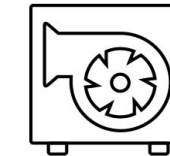
VFSC9-25-FC



SEPS8-24-40

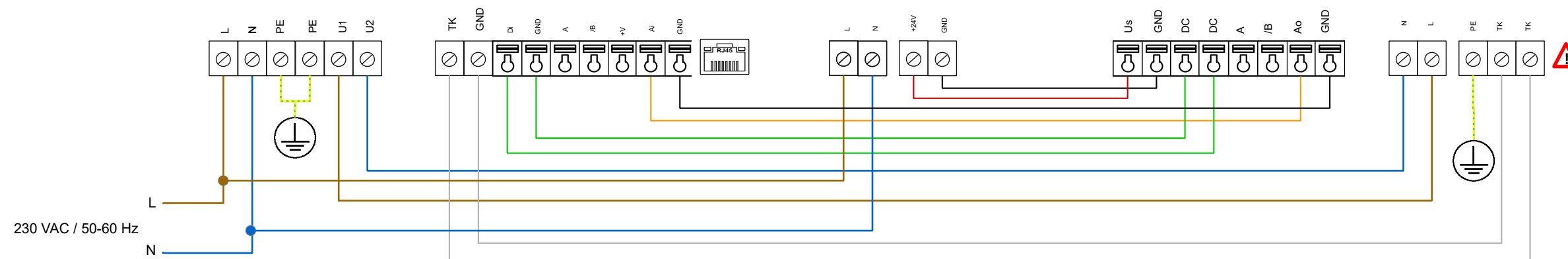


SDP-M010-DC



AC fan – voltage controllable motor

1 phase Motor



Consult the fan manufacturer for the correct wiring.

Sentera products		External products	Parameters settings			
Article codes	Description	AC motor 2,5 A	Article codes	Parameters	Values	Descriptions
VFSC9-25-FC SDP-M010-DC SEPS8-24-40	Variable speed control for AC fans with single-phase motor. The maximum motor current is 2,5 A. Both motor and fan speed controller will operate exceptionally quiet, even at low speed. Typically, this solution is used to control AC fans or pumps in HVAC applications. The motor speed can be adjusted via the external potentiometer. At zero position, the motor keeps on running at minimum speed. The distance between potentiometer and fan speed controller should remain limited. The TK monitoring function deactivates the motor in case of overheating.					