

VFSC9 | ELECTRONIC SPEED CONTROLLER

Mounting and operating instructions



Table of contents

SAFETY AND PRECAUTIONS	3
PRODUCT DESCRIPTION	4
ARTICLE CODES	4
INTENDED AREA OF USE	4
TECHNICAL DATA	4
STANDARDS	5
WIRING AND CONNECTIONS	5
OPERATIONAL DIAGRAMS	6
MOUNTING INSTRUCTIONS IN STEPS	7
3SMODBUS COMMUNICATION SETUP	8
SENSISTANT COMMUNICATION SETUP	9
VERIFICATION OF INSTALLATION	10
TRANSPORT AND STORAGE	11
WARRANTY AND RESTRICTIONS	11
MAINTENANCE	11

SAFETY AND PRECAUTIONS



Read all the information, the datasheet, mounting and operating instructions and study the wiring and connection diagram before working with the product. For personal and equipment safety, and for optimum product performance, make sure you entirely understand the contents before installing, using, or maintaining this product.



For safety and licensing (CE) reasons, unauthorised conversion and /or modifications of the product are inadmissible.



The product should not be exposed to abnormal conditions, such as: extreme temperatures, direct sunlight or vibrations. Long-term exposure to chemical vapours in high concentration can affect the product performance. Make sure the work environment is as dry as possible; avoid condensation.



All installations shall comply with local health and safety regulations and local electrical standards and approved codes. This product can only be installed by an engineer or a technician who has expert knowledge of the product and safety precautions.



Avoid contacts with energised electrical parts; always treat the product as if it is live. Always disconnect the power supply before connecting, servicing or repairing the product.



Always verify that you apply appropriate power supply to the product and use appropriate wire size and characteristics. Make sure that all the screws and nuts are well tightened and fuses (if any) are fitted well.



Recycling of equipment and packaging should be taken into consideration and these should be disposed of in accordance with local and national legislation / regulations.



In case there are any questions that are not answered, please contact our technical support or consult a professional.

PRODUCT DESCRIPTION

VFSC9 are electronic fan speed controllers for single phase induction motors (110–240 VAC / 50–60 Hz). They have a selectable analog input (0–10 VDC / 0–20 mA / PWM) and Modbus RTU communication. Compared to phase angle control (Triac fan speed controllers), the VFSC9 series generates an output signal with almost perfect sinusoidal shape, while the EMC pollution remains limited, the power factor exceeds 95 %.

ARTICLE CODES

Code	Max. output current, I _{max}	Max. load	Potentiometer
VFSC9-25-FP	2,5 A	600 W	yes
VFSC9-25-FC			no

INTENDED AREA OF USE

- Fan speed control in ventilation systems
- For indoor use only

TECHNICAL DATA

- Selectable analog input 0–10 VDC / 0–20 mA / PWM
- Modbus RTU (RS485) communication
- Software configurable network bus terminator (NBT)
- Stand-by power consumption: < 1 W
- Two LED indications
- Potentiometer knob*
- Adjustable minimum and maximum speed
- Selectable input control: Modbus, Analog Input / Potentiometer*
- Adjustable OFF level: 1–4 VDC / 2–8 mA / 10–40 % PWM
- Passive heatsink
- Adjustable acceleration / deceleration rate
- Digital input for run / stop command
- Reinforced enclosure ABS UL94-V0, grey (RAL 7035)
- Supply voltage: 110–240 VAC / 50–60 Hz (single phase)
- Power factor: > 95 %
- Maximum output current (I_{max}): 2,5 A
- Maximum load: 600 W
- Adjustable settings via Modbus registers:
 - Minimum speed: 20–65 %
 - Maximum speed: 70–90 %
 - Input control: Modbus, Analog Input / Potentiometer*
 - OFF level: 1–4 VDC / 2–8 mA / 10–40 % PWM
 - Acceleration / deceleration: 1–10 %/s
- Protections: fuse, thermal contact (TK) input
- Protection standard: IP54 (according to EN 60529)
- Operating ambient conditions:
 - temperature: -10–40 °C
 - rel. humidity: < 85 % rH (non-condensing)
- Storage temperature: -20–50 °C

*Potentiometer knob is available only in the FP version

STANDARDS

- Low Voltage Directive 2014/35/EC
- EMC Directive 2014/30/EU: EN 61000-6-2: 2005 / AC: 2005; EN 61000-6-3: 2007 / A1: 2011 / AC: 2012; EN 61000-6-3: 2014

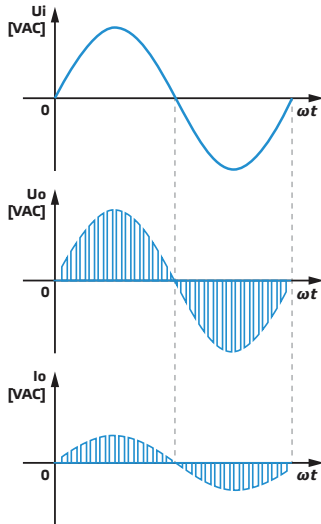


WIRING AND CONNECTIONS

L	Supply voltage 110–240 VAC / 50–60 Hz	
N	Neutral	
PE	Earth terminal	
U1, U2	Regulated output to the motor	
TK, GND	Thermal contact input	
Di, GND	Digital input	
Ai, GND	Analog input	
A	Modbus RTU (RS485), signal A	
/B	Modbus RTU (RS485), signal /B	
+V	Supply output 15 VDC for external potentiometer 10 kΩ	
RJ45 connector on PCB	Modbus RTU (RS485) connection	
Connections	L, N, PE	0,75–1,5 mm ² , 3-wire insulated
	U1, U2	0,75–1,5 mm ² , 2-wire, screened and insulated
	TK, GND	
	Di, GND	0,5–1,25 mm ²
	Ai, GND	0,5–1,25 mm ² , screened / shielded
	+ V	
	A, /B, GND	Cat 5 network cable , screened, foil-shielded, twisted pair (S/FTP)

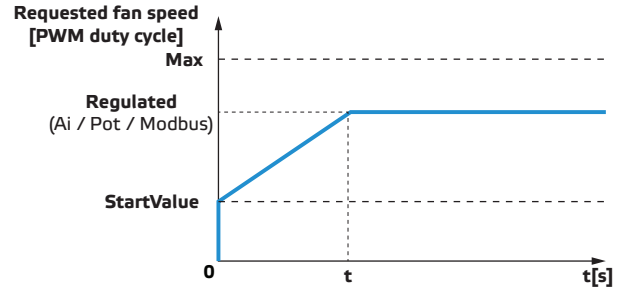
OPERATIONAL DIAGRAMS

Input / Output



When the motor starts, it runs in proportional steps (acceleration / deceleration) from the start value to the regulated value. The start value can be equal to 45 % of PWM duty cycle or equal to the minimum value of PWM duty cycle, depending on the minimum value of PWM duty cycle.

Startup diagram



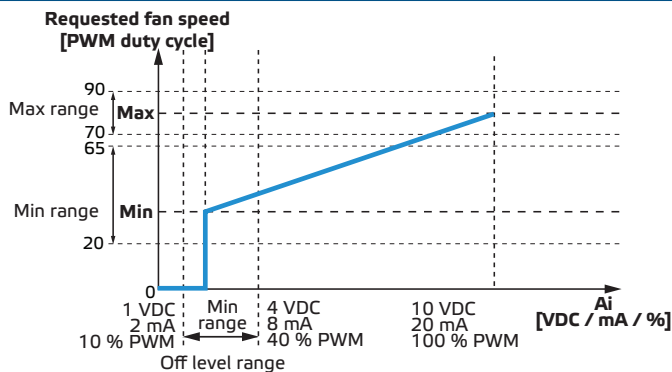
If min. > 45 %, Start value = min.
If min. < 45 %, Start value = 45 %

$$\text{If Regulated} > \text{Start Value, } t = \frac{(\text{Regulated} - \text{StartValue})}{\text{acceleration}}$$

$$\text{If Regulated} < \text{Start Value, } t = \frac{(\text{Regulated} - \text{StartValue})}{\text{deceleration}}$$

Max	Maximum value of PWM duty cycle (%)
Min	Minimum value of PWM duty cycle (%)
Regulated	Regulated value of PWM duty cycle (%)
Start Value	The value of PWM duty cycle to start the motor (%)
t	Time duration to reach the regulated value according to proportional step (acceleration / deceleration)

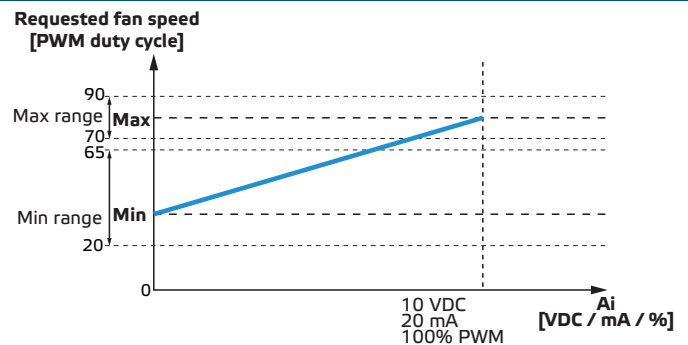
Analog input (Ai) with OFF level



$$\text{PWM duty cycle} = \text{Min} + \frac{A_i - \text{OFF Level}}{A_{i\text{max}} - \text{OFF Level}} (\text{Max} - \text{Min})$$

OFF level	OFF level value of analog input (VDC / mA / %)
OFF level range	(1–4 VDC / 2–8 mA / 10–40 % PWM)

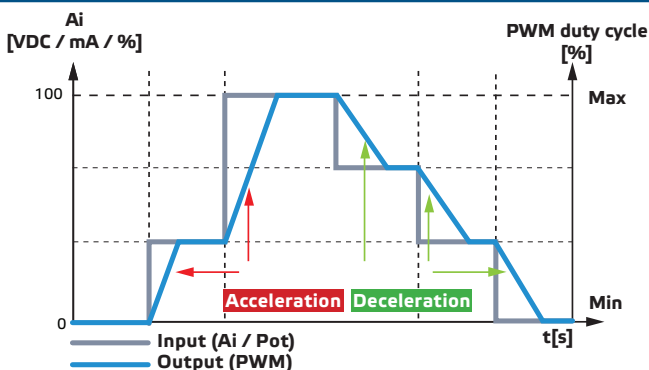
Analog input (Ai)



$$\text{PWM duty cycle} = \text{Min} + \frac{A_i}{A_{i\text{max}}} (\text{Max} - \text{Min})$$

Max	Maximum value of PWM duty cycle (%)
Min	Minimum value of PWM duty cycle (%)
Max. range	Range of maximum value of PWM duty cycle (70–90 %)
Min. range	Range of minimum value of PWM duty cycle (20–65 %)
Ai	Analog input (settable)
Ai max	Maximum value of analog input (10 VDC / 20 mA / 100 % PWM)

Analog input (Ai) - output related to acceleration / deceleration



MOUNTING INSTRUCTIONS IN STEPS

Before you start mounting the VFSC9-25 controller, read carefully "Safety and Precautions". Choose a flat surface for installation (a wall, panel, etc.)

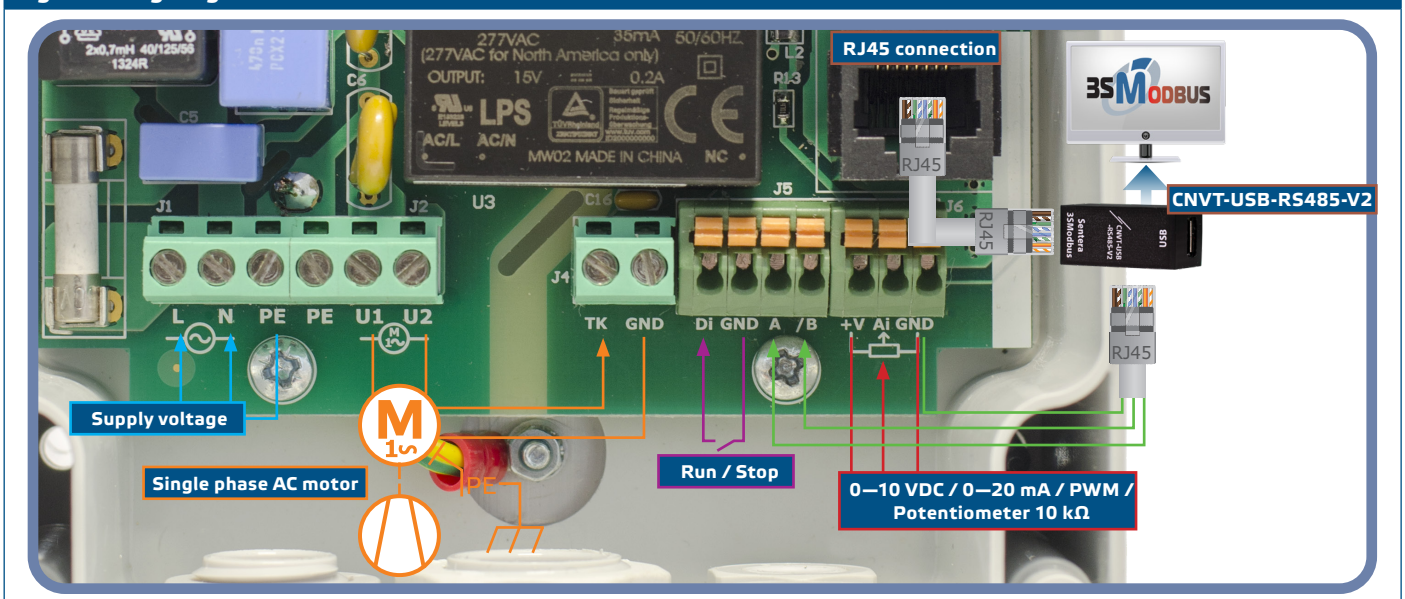
Follow these steps:

ATTENTION

Before mounting the controller, switch OFF the mains supply!

1. Unscrew the front cover and open the enclosure. Mind the wires that connect the potentiometer with the printed circuit board.
2. Loosen the cable glands.
3. Insert the cables through the cable glands and connect adhering to the information from the "Wiring and connections" section, **Fig. 1** Wiring diagram and the following instructions:
 - 3.1 Connect the motor / fan.
 - 3.2 Connect the thermal cut-off contact cables, if any, or use a bridge on TK input. Do not leave it open!
 - 3.3 Connect the power supply cables.
4. Connect the digital input (remote) cables, if any, or use a bridge on Di input.

Fig. 1 Wiring diagram

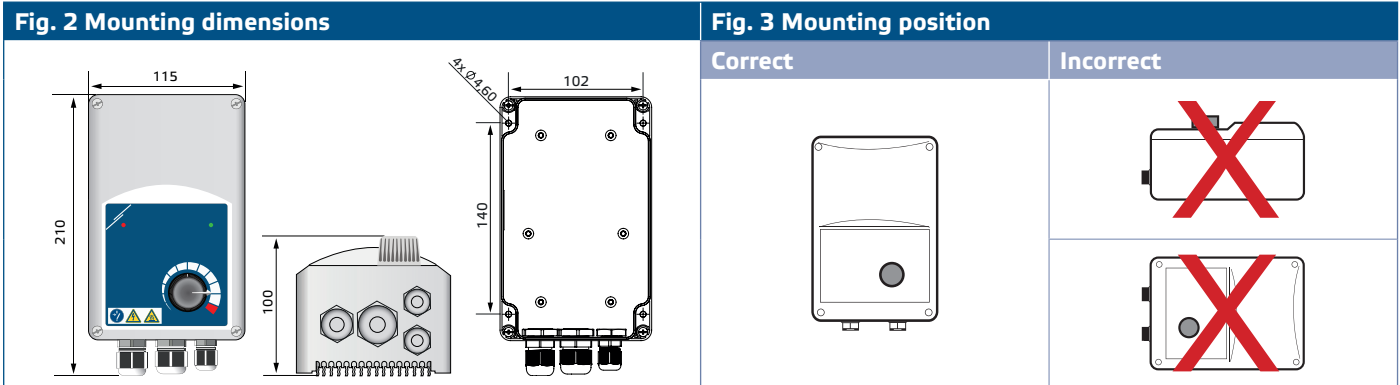


Legend

L, N	Supply voltage: 110 – 240 VAC / 50 – 60 Hz (single phase)
PE	Power earth
U1, U2	Regulated output, $I_{max} = 2,5$ A (single phase)
TK, GND	Thermal contact input
Di, GND	Digital input
Ai, GND	Analog input
+V	Supply voltage 15 VDC for external potentiometer 10 kΩ
A, /B	Modbus RTU (RS485) communication

5. Tighten the cable glands.
6. Fix the unit to the wall or panel using the provided screws and dowels. Mind the correct mounting position and unit mounting dimensions. (See **Fig. 2** Mounting dimensions)

and **Fig. 3** Mounting position above). Put back the front cover and fix it.



7. Switch on the power supply.
8. Set the Modbus registers, if necessary (refer to the Modbus registers settings below).

NOTE

The controller has 4 cable glands: an M16, an M20, and two M12 (metric size). Make sure you use appropriate cable sizes, so that they can fit into the provided cable glands.

3SMODBUS COMMUNICATION SETUP

VFSC9-25 is ready to use. If required, the advanced settings can be changed from a PC via Modbus communication using the 3SModbus software.

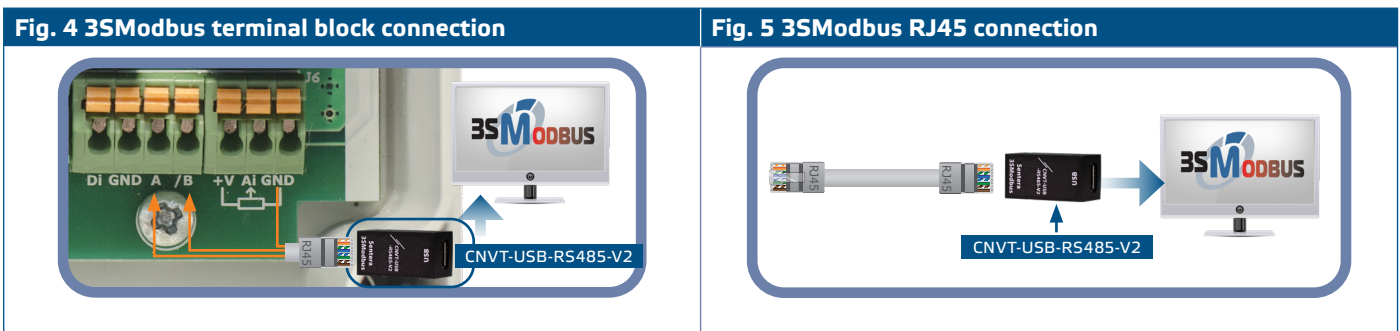
IMPORTANT

- The device ID for calling VFSC9-25 is 1 (default).
- The VFSC9-25 has baud rate 19200, Even parity (default).

To connect the VFSC9-25 to the 3SModbus software on the PC, follow these steps:

1. Setup the Modbus (RS485) cable*.
2. You need a 3-wire cable to connect the converter to the VFSC9-25: a wire for A signal, a wire for /B signal, and a wire for ground.
3. Turn OFF the VFSC9-25 and connect the Modbus wires to the VFSC9-25. There are two options for connecting the wires to VFSC9-25:
 - 3.1 Connect directly to the Terminal Block slot A, /B (see **Fig. 4**);
 - 3.2 Plug an RJ45 connector into the socket (see **Fig. 5**).

* The Modbus (RS485) cables to connect the VFSC9-25 to the PC are not included in the set. It is highly recommended that you use shielded twisted-pair cable (S/FTP) for this connection.



Connections



Pins 1 & 2	Not connected (NC)
Pins 3 & 4	A signal
Pins 5 & 6	/B signal
Pins 7 & 8	Ground (GND)

NOTE

Make sure the Modbus cables fit into the cable glands. If the cables have an RJ45 connector, it is recommended that you plug the RJ45 connector into the RJ45 socket first and then insert the wires through the cable gland before connecting to the Modbus (RS485) converter.

4. Insert a Modbus (RS485) converter (CNVT-USB-RS485) into the PC USB port.

SENSISTANT COMMUNICATION SETUP

VFSC9-25 is ready to use. If required, the advanced settings can be changed from a SENSISTANT configurator. The information below illustrates the way to connect the VFSC9-25 to a SENSISTANT.

IMPORTANT

- The device ID for calling VFSC9-25 is 1 (default).
- The VFSC9-25 has baud rate 19200, Even parity (default).

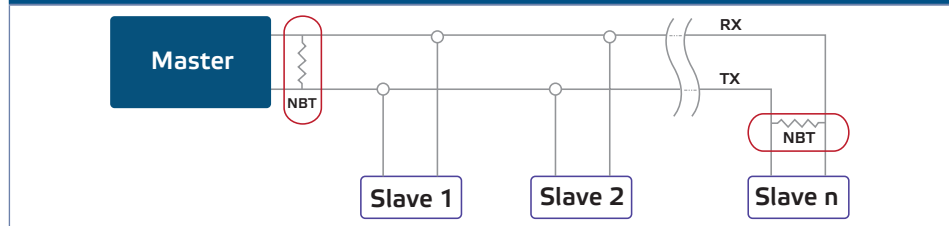
To connect the VFSC9-25 to the SENSISTANT Modbus configurator, follow these steps:

1. Remove the power supply from the VFSC9-25 and the PDM unit. Connect the VFSC9-25 to the PDM unit using a standard network cable with an RJ45 connector at both ends.
2. Connect the SENSISTANT to the PDM using a standard network cable with an RJ45 connector at both ends.

Network bus terminator

The network bus termination resistor (NBT) should be enabled only in case the unit is first or last on the line of device (See Fig. 6 NBT example). The NBT is enabled via holding register 40020.

Fig. 6 NBT Example



LED indications

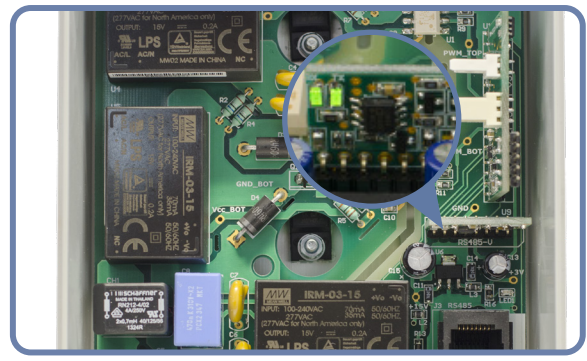
1. The green LED on the enclosure cover (see Fig. 7 Operating LED indications) indicates the that the power is on and the modes, depending on if the LED blinks or is solid on:
 - 1.1 Blinking green: Power ON, stand-by mode;
 - 1.2 Continuous green: Power ON, run mode (the motor runs).

2. The red LED on the enclosure cover indicates that there is thermal contact alarm.
3. The green LEDs on the main board and the controller board indicate that the supply voltage is 3,3 VDC.
4. Blinking green LEDs on the RS485V board indicate that the controller transmits (Tx) and receives (Rx) packages via Modbus (**Fig. 8** Communication LED indication).

Fig. 7 Operating LED indications



Fig. 8 Communication LED indication



VERIFICATION OF INSTALLATION

Switch OFF the remote control input (Di) and switch ON the power supply. The green LED must blink, the red LED must be off, and the motor must not run. If the red LED is ON, the power supply should be restarted. Check the motor for a thermal problem or a thermal contact (TK) problem before restarting the power supply.

For FC version

1. Apply a "10 VDC" control signal to the analog input. Switch ON the remote control input (Di). The green LED must be on and the motor must start running at maximum speed.
2. Apply a "0 VDC" control signal to the analog input. The green LED must be on and the motor must start running at minimum speed.
3. Switch off the remote control input (Di). The motor must stop.

For FP version

1. Turn the potentiometer at the front of the enclosure to 'MAX' position. Switch ON the remote control input (Di). The green LED must be on and the motor must start running at maximum speed.
2. Turn the potentiometer at the front of the enclosure to 'MIN' position.
3. The green LED must be on and the motor must run at minimum speed.
4. Switch OFF the remote control input (Di). The motor must stop.



NOTE

If the controller does not operate according to the instructions, the wiring connections and settings need to be checked.



ATTENTION

Hot surface! The surface of the unit may become hot and cause burns if touched. Avoid contact with the unit when in operation!

TRANSPORT AND STORAGE

Avoid shocks and extreme conditions. Stock in original packing at temperatures of -20—50 °C.

WARRANTY AND RESTRICTIONS

Two years from the delivery date against defects in manufacturing. Any modifications or alterations to the product after the date of publication relieve the manufacturer of any responsibilities. The manufacturer bears no responsibility for any misprints or mistakes in this data.

The warranty will be void in the event of damage caused by failure to observe the safety instructions! We do not assume liability for any resulting damage.

MAINTENANCE

In normal conditions these controllers are maintenance-free. If soiled, clean with a dry or damp cloth. In case of heavy pollution, clean with a non-aggressive product. In these circumstances, the unit should be disconnected from the main supply. Pay attention that no fluids enter the unit. Only reconnect the controller to the main supply when it is completely dry.