

SMT-1-30 | MANUAL CONTROL SWITCH

Mounting and operating instructions



Table of contents

SAFETY AND PRECAUTIONS	3
PRODUCT DESCRIPTION	4
ARTICLE CODES	4
INTENDED AREA OF USE	4
TECHNICAL DATA	4
STANDARDS	4
SWITCHING DIAGRAMS	5
WIRING AND CONNECTIONS	5
MOUNTING INSTRUCTIONS IN STEPS	5
VERIFICATION OF INSTALLATION INSTRUCTIONS	7
TRANSPORT AND STORAGE	7
WARRANTY AND RESTRICTIONS	7
MAINTENANCE	8

SAFETY AND PRECAUTIONS



Read all the information, the datasheet, mounting and operating instructions and study the wiring and connection diagram before working with the product. For personal and equipment safety, and for optimum product performance, make sure you entirely understand the contents before installing, using, or maintaining this product.



For safety and licensing (CE) reasons, unauthorised conversion and /or modifications of the product are inadmissible.



The product should not be exposed to abnormal conditions, such as: extreme temperatures, direct sunlight or vibrations. Long-term exposure to chemical vapours in high concentration can affect the product performance. Make sure the work environment is as dry as possible; avoid condensation.



All installations shall comply with local health and safety regulations and local electrical standards and approved codes. This product can only be installed by an engineer or a technician who has expert knowledge of the product and safety precautions.



Avoid contacts with energised electrical parts. Always disconnect the power supply before connecting, servicing or repairing the product.



Always verify that you apply appropriate power supply to the product and use appropriate wire size and characteristics. Make sure that all the screws and nuts are well tightened and fuses (if any) are fitted well.



Recycling of equipment and packaging should be taken into consideration and these should be disposed of in accordance with local and national legislation / regulations.



In case there are any questions that are not answered, please contact your technical support or consult a professional.

PRODUCT DESCRIPTION

The SMT series of switches adjust manually the speed of three-stage electrical motors (fans). There are three product versions with a different number of outputs. The supply voltage is directed to one of the outputs, according to the switch position. The maximum load is 10 A resistive and 3 A inductive. Several loads can be connected as long as the indicated maximum current is not exceeded. The switch is suitable for inset mounting (IP44) as well as for surface mounting (IP54).

ARTICLE CODES

Article code	Power supply	Off position
SMT-1-30-3A	230 VAC \pm 10 % / 50–60 Hz	yes
SMT-1-30-3B		no
SMT-1-30-4C		yes

INTENDED AREA OF USE

- Speed adjustment of multi-stage electric motors (fans)
- Suitable for use in tough working environment (such as kitchens, bathrooms etc.)

TECHNICAL DATA

- Power supply: 230 VAC \pm 10 % / 50–60 Hz
- Output: 230 VAC / 50–60 Hz
- Load: max. 10 A (resistive) / 3 A (inductive)
- Enclosure:
 - ▶ External: ASA, white-ivory (RAL 9010), IP54 (according to EN 60529)
 - ▶ Internal: polyamide, white-ivory (RAL 9010), IP44 (according to IEC 60335)
- Operating ambient conditions:
 - ▶ temperature: 0–50 °C
 - ▶ rel. humidity: < 95 % rH (non-condensing)
 - ▶ Storage temperature: -10–55 °C

STANDARDS

- Low Voltage Directive 2014/35/EC
- RoHs Directive 2011/65/EU



SWITCHING DIAGRAMS

Switch & connection schemes

Switch diagram SMT-1-30-3A			
Knob position	0	1	2
L — 0			
U1		X	
U2			X

Motor connections		
L	U1	U2
Supply	Motor	

Switch diagram SMT-1-30-3B			
Knob position	1	2	3
L — U1	X		
U2		X	
U3			X

Motor connections			
L	U1	U2	U3
Supply	Motor		

Switch diagram SMT-1-30-4C				
Knob position	0	1	2	3
L — U1		X		
U2			X	
U3				X

Motor connections			
L	U1	U2	U3
Supply	Motor		

WIRING AND CONNECTIONS

L	Supply voltage (230 VAC ±10 % / 50–60 Hz)
U1	Output to the motor (230 VAC ±10 % / 50–60 Hz / 10 A (3 A))
U2	Output to the motor (230 VAC ±10 % / 50–60 Hz / 10 A (3 A))
U3	Output to the motor (230 VAC ±10 % / 50–60 Hz / 10 A (3 A))
Connections	Cable cross section: max. 2,5 mm ²

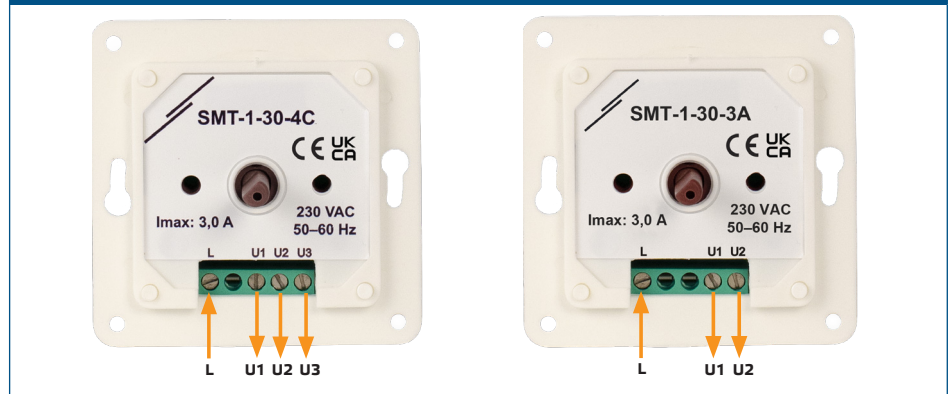
MOUNTING INSTRUCTIONS IN STEPS

Before you start mounting your SMT switch, read carefully **“Safety and Precautions”** and follow the steps:

For inset mounting

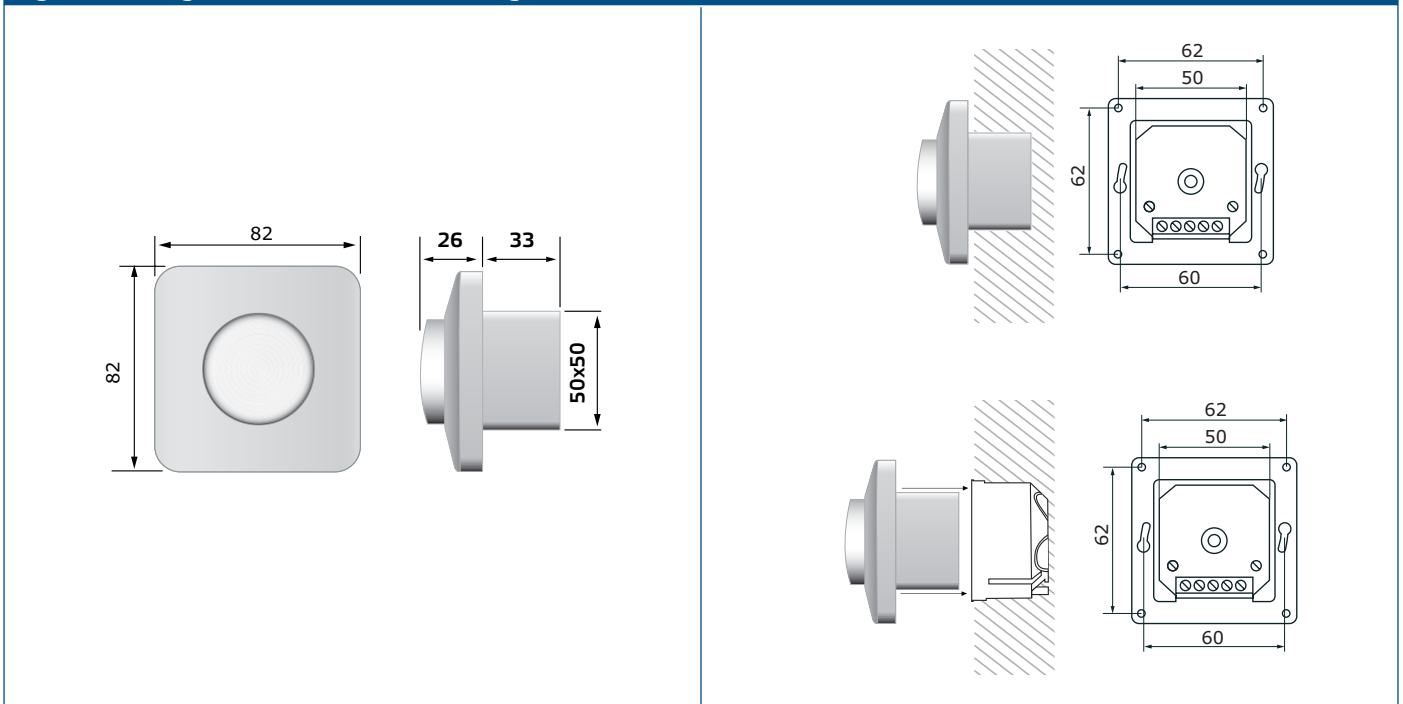
1. Remove the knob by pulling it out.
2. Remove the cover of the external enclosure.
3. Do the wiring according to the wiring diagram (see **Fig. 1 Wiring and connections**).

Fig. 1 Wiring and connections



4. Mount the internal enclosure into the wall adhering to the mounting dimensions shown in **Fig. 2 Mounting dimensions - inset mounting**.

Fig. 2 Mounting dimensions - inset mounting



NOTE

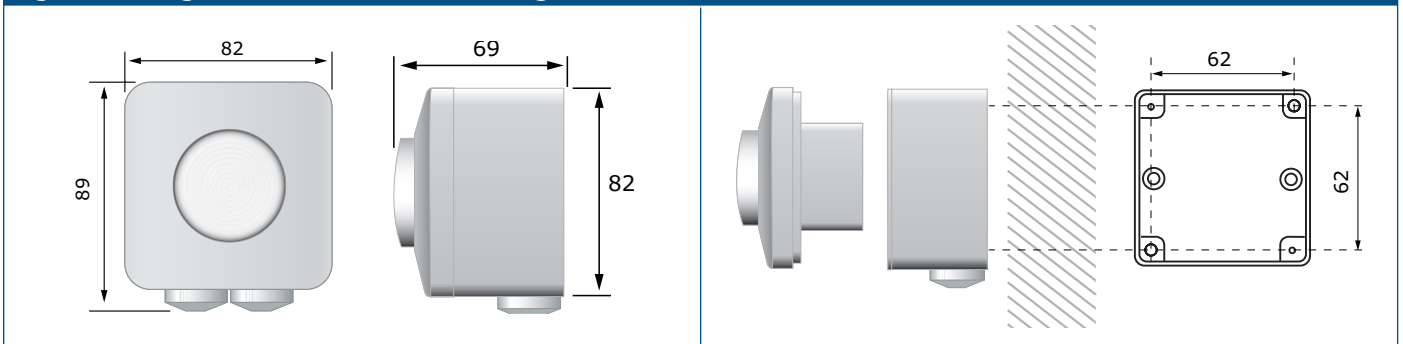
Mount the unit so that the terminal block and connections are at the lower side.

5. Mount back the cover and secure it with the provided screws.
6. Put back the knob and turn it to position "0" (-3A and -4C versions) or position "1" (-3B version).
7. Turn on the power supply.

For surface mounting

1. Remove the knob by pulling it out.
2. Remove the cover of the external enclosure.
3. Mount the external enclosure onto the surface by means of screws and dowels (not included in the set) adhering to the mounting dimensions shown in **Fig. 3 Mounting dimensions - surface mounting**.

Fig. 3 Mounting dimensions - surface mounting



4. Insert the cables through the grommets.
5. Do the wiring according to the wiring diagram (see **Fig. 1 Wiring and connections**).
6. Insert the internal enclosure into the external one and fix it using the screws and washers included in the set.

NOTE

Mount the unit so that the terminal block and connections are at the lower side.

7. Mount back the cover and secure it with the provided screws.
8. Put back the knob and turn it to position "0" (-3A and -4C versions) or position "1" (-3B version).
9. Turn on the power supply.

VERIFICATION OF INSTALLATION INSTRUCTIONS

ATTENTION

Use only tools and equipment with non-conducting handles when working on electrical devices.

- In case of faulty operation, please check if:
 - ▶ the right voltage is applied;
 - ▶ all connections are correct;
 - ▶ the regulated device is functioning.

TRANSPORT AND STORAGE

Avoid shocks and extreme conditions; stock in original packing.

WARRANTY AND RESTRICTIONS

Two years from the delivery date against defects in manufacturing. Any modifications or alterations to the product after the date of publication relieve the manufacturer of any responsibilities. The manufacturer bears no responsibility for any misprints or mistakes in this data.

MAINTENANCE

In normal conditions this product is maintenance-free. If soiled, clean with a dry or damp cloth. In case of heavy pollution, clean with a non-aggressive product. In these circumstances the unit should be disconnected from the supply. Pay attention that no fluids enter the unit. Only reconnect it to the supply when it is completely dry.