

# SFPR4

TRANSFORMER SPEED  
CONTROLLER,  
3 X 400 VAC

## Mounting and operating instructions



# Table of contents

<b>SAFETY AND PRECAUTIONS</b>	<b>3</b>
<b>PRODUCT DESCRIPTION</b>	<b>4</b>
<b>ARTICLE CODES</b>	<b>4</b>
<b>INTENDED AREA OF USE</b>	<b>4</b>
<b>TECHNICAL DATA</b>	<b>4</b>
<b>STANDARDS</b>	<b>5</b>
<b>WIRING AND CONNECTIONS</b>	<b>5</b>
<b>OPERATIONAL DIAGRAM</b>	<b>6</b>
<b>MOUNTING INSTRUCTIONS IN STEPS</b>	<b>6</b>
<b>VERIFICATION OF INSTALLATION INSTRUCTIONS</b>	<b>8</b>
<b>OPERATING INSTRUCTIONS</b>	<b>9</b>
<b>TRANSPORT AND STOCK KEEPING INFORMATION</b>	<b>9</b>
<b>WARRANTY INFORMATION AND RESTRICTIONS</b>	<b>9</b>
<b>MAINTENANCE</b>	<b>9</b>

## SAFETY AND PRECAUTIONS

---



Read all information, the datasheet, mounting instructions and wiring scheme before working with the product. For personal and equipment safety, and for optimum product performance, make sure you entirely understand the contents before installing, using, or maintaining this product.



For safety and licensing (CE) reasons, unauthorised conversion and / or modifications to the product are not permitted.



The product must not be exposed to abnormal conditions, such as: extreme temperatures, direct sunlight or vibrations. Chemical vapours with high concentration in combination with long exposure times can affect the product performance. Make sure the work environment is as dry as possible; check for condensation spots.



All installations shall comply with the local health and safety regulations and local electrical codes. This product can only be installed by an engineer or a technician who has an expert knowledge of the product and safety precautions.



Avoid contacts with energised electrical parts; always treat the product as if it is life. Always disconnect the power source before connecting the power cables, servicing or repairing the product.



Always verify that you apply appropriate power supply to the product and use wires with appropriate size and characteristics. Make sure that all the screws and nuts are well tightened and fuses (if any) are fitted well.



Recycling of equipment and packaging should be taken into consideration and disposed in accordance with local and national legislation / regulations.



In case there are any questions that are not answered, please contact your technical support or consult a professional.

## PRODUCT DESCRIPTION

The SFPR4 transformer controller controls the rotational speed of three-phase voltage controllable motors (3 x 400 VAC, 50 / 60 Hz) in five steps. The controller is fitted out with thermal contacts (TK) for thermal motor protection. It has an extra sensing input for a flow detector (or pressure sensor) that controls a gas valve / actuator through a relay output. The relay output contacts changeover when the flow / pressure contacts close, within 60 seconds after the unit is switched on.

## ARTICLE CODES

Code	Nominal current, [A]
SFPR4-15L40	1,5
SFPR4-25L40	2,5
SFPR4-40L40	4,0
SFPR4-60L40	6,0
SFPR4-80L40	8,0
SFPR4110L40	11,0
SFPR4140L50	14,0
SFPR4180L50	18,0

## INTENDED AREA OF USE

- Output voltage control in five steps for three-phase AC motors / fans
- Flow / pressure control in ventilation systems
- Clean air and non-aggressive, non-combustible gases
- For indoor use only

## TECHNICAL DATA

- Power supply: 3 x 400 VAC ± 10% - 50 / 60 Hz
- Unregulated output: 230 VAC / 2 A
- Flow / pressure sensing contact input FL
- Potential free relay contact output (COM/NO/NC), controlled by a flow / pressure sensing input (to switch a gas valve / actuator)
- Run / Stop contacts: normally closed
- Motor protection: by connecting the thermal (overheating) contacts of the motor
- Switch: 5 positions + off position
- Operating indication
- Fault indication
- Enclosure:
  - ▶ steel sheet (polyester powder coating)
  - ▶ grey colour (RAL 7035)
- Protection standard: IP54 (according to EN 60529)
- Operating ambient conditions:
  - ▶ temperature: -20–35 °C
  - ▶ rel. humidity: < 95 % rH (non-condensing)
- Storage temperature: -20–50 °C
- Storage humidity: 10–80 % rH

## STANDARDS

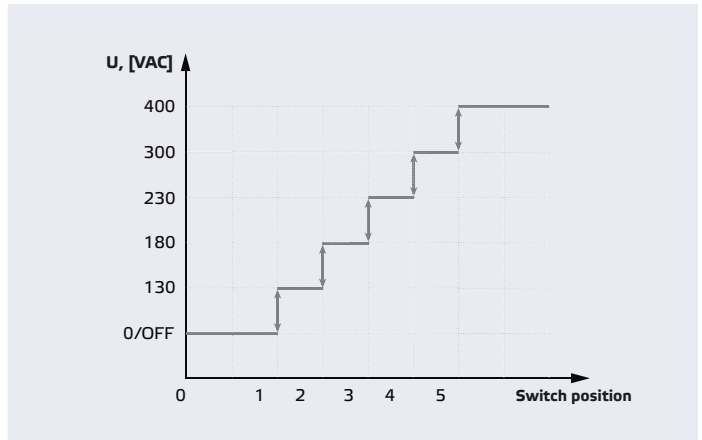
- Low Voltage Directive 2006/95/EC
- EN 61558-1: 2005/A1: 2009
- EN 61558-2-13
- WEEE Directive 2012/19/EU
- RoHs Directive 2011/65/EU



## WIRING AND CONNECTIONS

R, S, T	Supply voltage 3 x 400 VAC ± 10% - 50 / 60 Hz
N	Neutral
PE	Earth terminal
<b>OUTPUTS</b>	
L1, N	Unregulated output, 230 VAC / 2 A
U, V, W	Regulated output to the motor (0 / 130 / 180 / 230 / 300 / 400 VAC)
PE	Earth terminal
COM, NO, NC	Potential free contact output, (230 VAC / 6 A)
<b>INPUTS</b>	
TK, TK	Thermal contacts
NC, NC	Run / Stop contacts, normally closed
FL, FL	Flow / pressure sensing contacts
Connections	Cable gland clamping range: 8–13 mm Cable cross section: depends on the article (see <b>Table Max. cable cross sections</b> )

## OPERATIONAL DIAGRAM



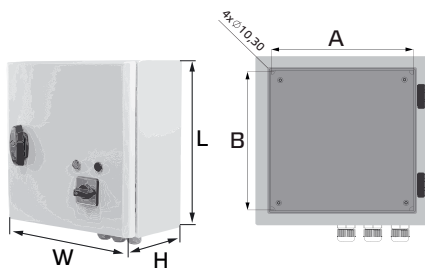
## MOUNTING INSTRUCTIONS IN STEPS

Before you start mounting the SFPR4 controller read carefully “*Safety and Precautions*”. Choose a smooth surface for an installation location (a wall, panel and etc.).

Follow these steps:

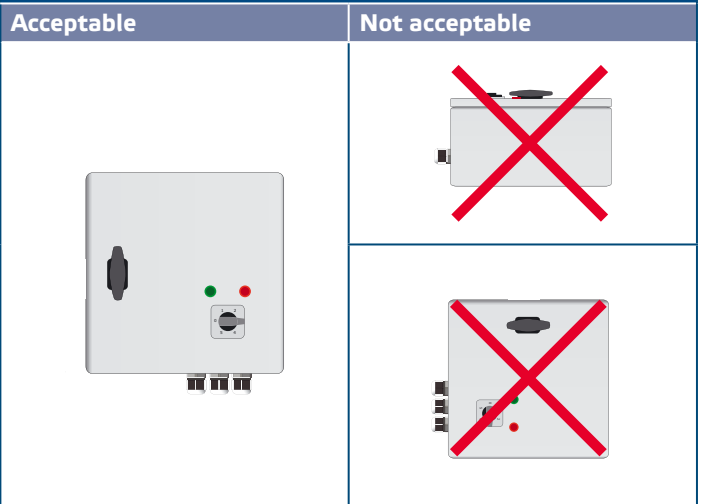
1. Open the enclosure and fix the unit to the wall or panel vertically using dowels and screws (not delivered). Mind the correct mounting position and unit mounting dimensions. (See **Fig. 1** *Mounting dimensions* and **Fig. 2** *Mounting position*.)

**Fig. 1** Mounting dimensions



	L [mm]	W [mm]	H [mm]	A [mm]	B [mm]
SFPR4-15L40	325	300	175	255	255
SFPR4-25L40	325	300	175	255	255
SFPR4-40L40	425	300	175	255	355
SFPR4-60L40	425	300	235	255	355
SFPR4-80L40	425	300	235	255	355
SFPR4110L40	430	400	235	355	355

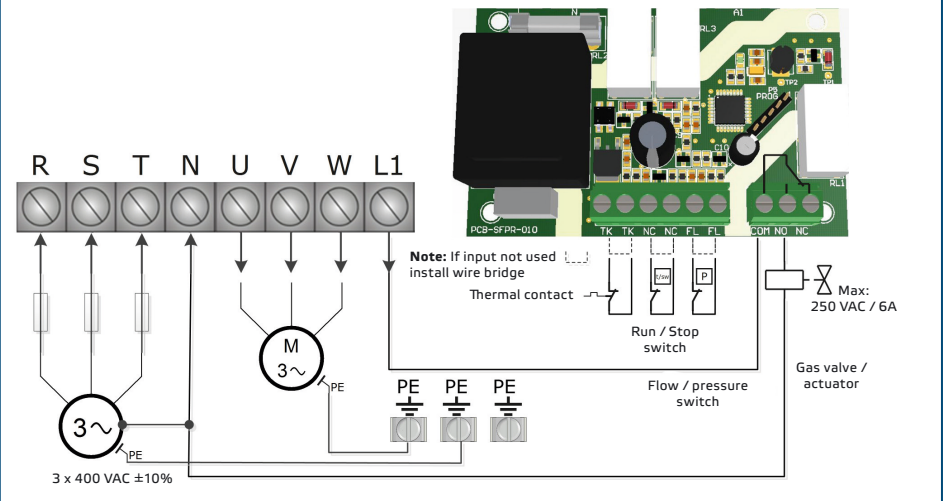
**Fig.2** Mounting position



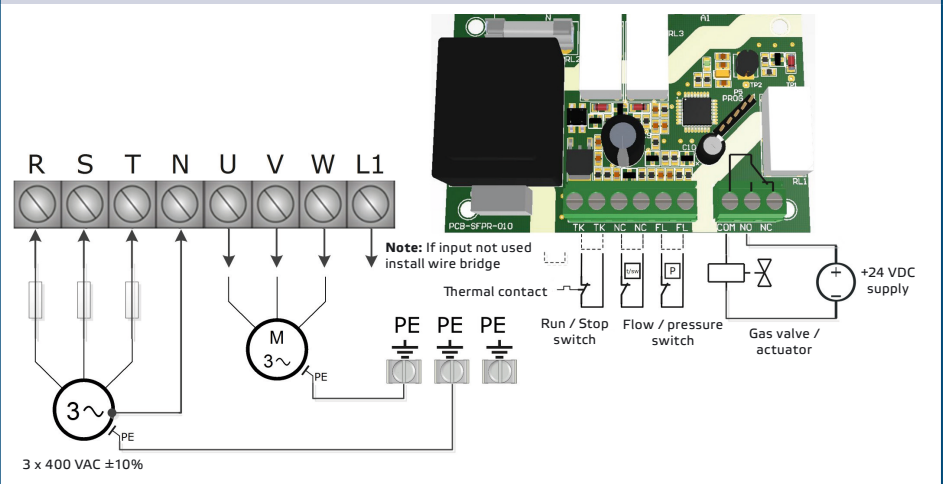
2. Connect the motor(s), voltage supply and earth as shown in **Fig. 3 Wiring diagram**. Use cables with appropriate cross section (See **Table Max. cable cross sections**.)

**Fig. 3 Wiring diagram**

**3a.** 230 VAC gas valve / actuator supplied from L1 / N terminals with external fuse protection on phase R (max. 6 A).



**3b.** Gas valve / actuator supplied from external 24 VDC supply.



**Max. cable cross sections**

SFPR4-15L40	2,5 mm <sup>2</sup>
SFPR4-25L40	2,5 mm <sup>2</sup>
SFPR4-40L40	2,5 mm <sup>2</sup>
SFPR4-60L40	2,5 mm <sup>2</sup>
SFPR4-80L40	2,5 mm <sup>2</sup>
SFPR4110L40	6,00 mm <sup>2</sup>
SFPR4140L50	6,00 mm <sup>2</sup>
SFPR4180L50	6,00 mm <sup>2</sup>

3. Install a safety switch with a suitable fuse on the mains side. The recommended current fuse is time-lag with rating of approximately 1,5 x I<sub>max</sub>.

**ATTENTION**

*Use only fuses with type and rating recommended above; otherwise, loss of warranty will ensue.*

4. Customise the factory settings to the desired ones:
  - 4.1 If you use the thermal protection input, remove the red bridge between the TK contacts.
  - 4.2 If you use the run / stop input, remove the red bridge between the NC contacts.
  - 4.3 If you use the flow / pressure input, remove the red bridge between the FL contacts.
5. Connect the supply voltage of the controlled equipment (a gas valve / actuator) as shown in **Fig. 1b**.
6. Close the enclosure.
7. Switch on the power supply.
8. Verify the operating condition of your unit. Follow the steps given in section **"Verification of installation instructions"**.
9. Fix the cover after you make sure that the unit is ready for operation.

## VERIFICATION OF INSTALLATION INSTRUCTIONS

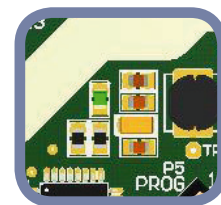
To check the wiring correctness follow the instructions below:

1. Check the status of the green operating indicator on the front cover (**Fig. 4 Operating indication**) after you switch on your unit. If it is OFF, check the connections. If the light indicator is ON proceed with the next step.
2. Open the enclosure and check the status of the green mini LED on the printed circuit board. See **Fig. 5 Miniature LED**.
  - 2.1 If it blinks rapidly, your unit is ready for operation.
  - 2.2 If it blinks slowly, your unit is in Stand-by mode.
  - 2.3 If it gives out a continuous light, there is an active motor / flow protection or a control board error.

**Fig. 4 Operating indication**



**Fig. 5 Miniature LED**



**ATTENTION**

*The status of the miniature LED on the printed circuit board can be checked only when the unit is energised. Take the relevant safety measures!*

**NOTE**

*The red light indicator on the front cover (**Fig. 4**) indicates fault conditions. It should be OFF during your check on the correctness of the controller installation.*



## OPERATING INSTRUCTIONS

Select the required output voltage by the switch on the front cover. The switch positions 1–5 correspond to the output voltage settings shown in the operational diagram. Position “0” is OFF position. See section “Operational diagram”.

### Light indications:

- The controller is in normal operation when the green light indicator on the front cover (**Fig. 4**) illuminates continuously and the miniature LED on the circuit board (**Fig. 5**) blinks rapidly.
- The motor is in stand-by mode when the green light indicator on the front cover (**Fig. 4**) illuminates continuously and the miniature LED on the circuit board (**Fig. 5**) blinks slowly.
- The red light indicator on the front cover (**Fig. 6 Fault indication**) indicates detection of one of the following fault conditions:
  - no flow is detected 60 seconds after the unit is switched on;
  - there is loss of flow during the operation;
  - motor overheating.

Restart the controller after eliminating fault conditions by turning the control switch to “0” position or disconnecting the power supply of the controller minimum for 5 seconds.

Fig. 6 Fault indication



### NOTE

*The gas valve output (COM, NO) will only be powered if the sensing input contacts (FL, FL) close within 60 seconds after the unit is switched on.*

## TRANSPORT AND STOCK KEEPING INFORMATION

Avoid shocks and extreme conditions; stock in original packing.

## WARRANTY INFORMATION AND RESTRICTIONS

Two years from the delivery date against defects in manufacturing. Any modifications or alterations to the product after the date of publication relieve the manufacturer of any responsibilities. The manufacturer bears no responsibility for any misprints or mistakes in this data.

## MAINTENANCE

In normal conditions this product is maintenance-free. If soiled, clean with a dry or dampish cloth. In case of heavy pollution, clean with a non-aggressive product. In these circumstances the unit should be disconnected from the supply. Pay attention that no fluids enter the unit. Only reconnect it to the supply when it is completely dry.