

SD

ELECTRONIC FAN SPEED CONTROLLER

Mounting and operating instructions



Table of contents

SAFETY AND PRECAUTIONS	3
PRODUCT DESCRIPTION	4
ARTICLE CODES	4
INTENDED AREA OF USE	4
TECHNICAL DATA	4
STANDARDS	4
OPERATIONAL DIAGRAMS	5
WIRING AND CONNECTIONS	5
MOUNTING INSTRUCTIONS IN STEPS	5
OPERATING INSTRUCTIONS	7
TROUBLESHOOTING	7
TRANSPORT AND STORAGE	8
WARRANTY AND RESTRICTIONS	8
MAINTENANCE	8

SAFETY AND PRECAUTIONS



Read all the information, the datasheet, Modbus registers map, mounting and operating instructions and study the wiring and connection diagram before working with the product. For personal and equipment safety, and for optimum product performance, make sure you entirely understand the content before installing, using or maintaining this product.



For safety and licensing (CE) reasons, unauthorised conversion and / or modifications of the product are inadmissible.



The product should not be exposed to abnormal conditions, such as extreme temperatures, direct sunlight or vibrations. Long-term exposure to chemical vapours in high concentration can affect the product performance. Make sure the work environment is as dry as possible; avoid condensation.



All installations shall comply with local health and safety regulations and local electrical standards and approved codes. This product can only be installed by an engineer or a technician who has expert knowledge of the product and safety precautions.



Avoid contacts with energised electrical parts. Always disconnect the power supply before connecting, servicing or repairing the product.



Always verify that you apply appropriate power supply to the product and use appropriate wire size and characteristics. Make sure that all the screws and nuts are well tightened and fuses (if any) are fitted well.



Recycling of equipment and packaging should be taken into consideration and these should be disposed of in accordance with local and national legislation / regulations.



In case there are any questions that are not answered, please contact your technical support or consult a professional.

PRODUCT DESCRIPTION

These infinitely variable fan speed controllers allow you to manually adjust the rotational speed of single phase AC motors by varying the motor voltage through phase angle control. The integrated AC switch enables or disables the motor.

ARTICLE CODES

Output regulation from low to high	
Code	Current range [A]
SDY-1-15-DT	0,1–1,5
SDY-1-30-DT	0,2–3
Output regulation from high to low	
Code	Current range [A]
SDX-1-15-DT	0,1–1,5
SDX-1-30-DT	0,2–3

INTENDED AREA OF USE

- Manual control of the motor / fan speed in HVAC applications
- For indoor use only

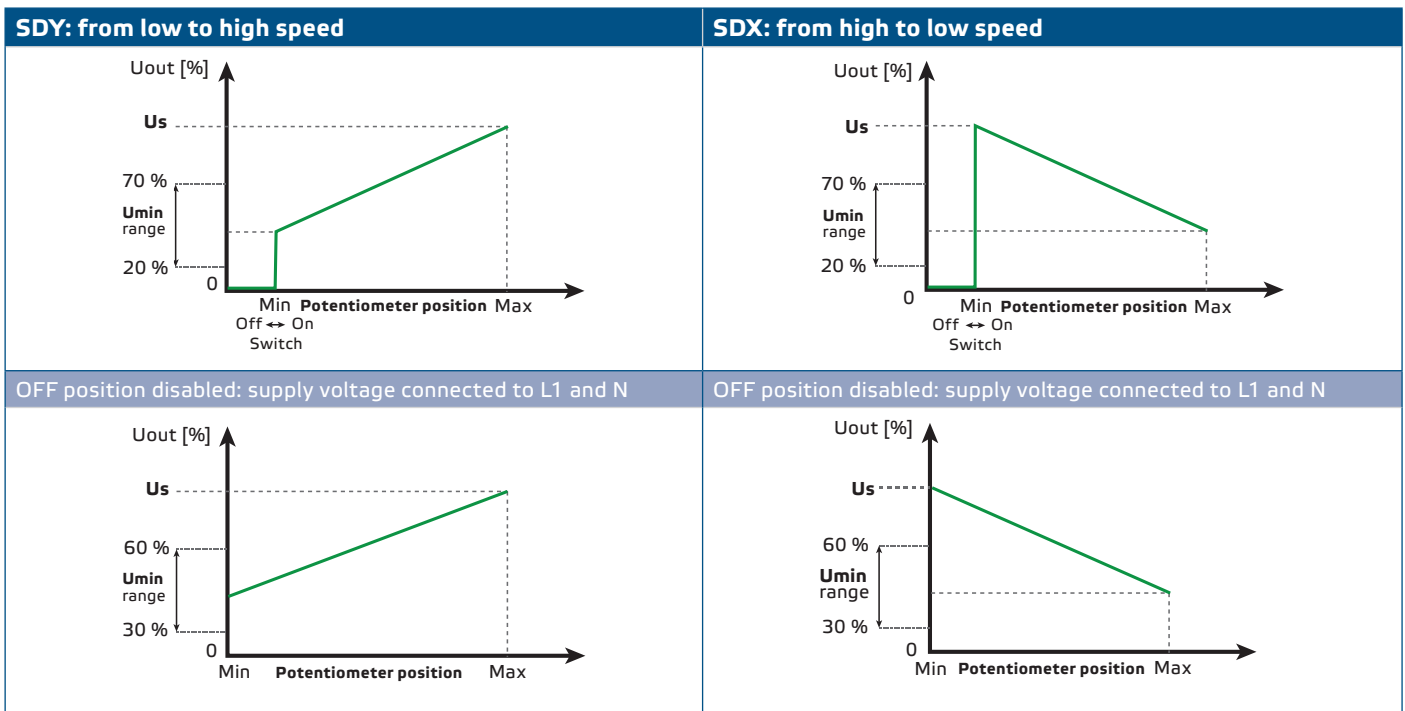
TECHNICAL DATA

- Supply voltage: 230 VAC / 50–60 Hz
- Regulated output to motor: $U_{min}-U_s$
- Unregulated output: 230 VAC / max. 2 A for control indication, a valve or auxiliary winding
- Minimum speed adjustment by trimmer: 80–180 VAC
- Speed control:
 - ▶ SDY—from low to high
 - ▶ SDX—from high to low
- Enclosure:
 - ▶ External: ASA, white colour (28049P), IP54 (according to EN 60529)
 - ▶ Internal: polyamide, natural colour, IP44 (according to EN 60529)
- Operating ambient conditions:
 - ▶ temperature: 0–40 °C
 - ▶ rel. humidity: 5–95 % rH (non-condensing)
- Storage temperature: -10–50 °C

STANDARDS

- Low Voltage Directive 2014/35/EU CE
 - ▶ EN 60529:1991 Degrees of protection provided by enclosures (IP Code) Amendments A1:2000, A2:2013, AC:1993, AC:2016-12 and A2:2013/AC:2019-02 to EN 60529:1991
- EMC directive 2014/30/EU:
 - ▶ EN 61000-6-2:2005 Electromagnetic compatibility (EMC) - Part 6-2: Generic standards - Immunity for industrial environments Amendment AC:2005 to EN 61000-6-2:2005
 - ▶ EN 61000-6-3:2007 Electromagnetic compatibility (EMC) - Part 6-3: Generic standards - Emission standard for residential, commercial and light-industrial environments Amendments A1:2011 and AC:2012 to EN 61000-6-3:2007
 - ▶ EN 61000-3-2:2014 Electromagnetic compatibility (EMC) - Part 3-2: Limits - Limits for harmonic current emissions (equipment input current ≤ 16 A per phase)
- WEEE Directive 2012/19/EU
- RoHS Directive 2011/65/EU

OPERATIONAL DIAGRAMS



ATTENTION

To disable the OFF position connect the 230 VAC supply voltage to the unregulated output (L1). In this case, do not connect the power supply to L.

WIRING AND CONNECTIONS

L	Power supply, line (230 VAC ±10 % / 50–60 Hz)
N	Power supply, neutral
L1	Unregulated output, line (230 VAC ±10 % / 50–60 Hz, I _{max} 2 A)
N	Unregulated output, neutral
U2	Regulated output to motor, neutral
U1	Regulated output to motor, line
Connections	Screw terminal block (6 poles), pitch 5 mm, cable cross section: 1,5 mm ² , wire strip length max. 7 mm

MOUNTING INSTRUCTIONS IN STEPS

Before you start mounting the unit, read carefully **“Safety and Precautions”** and follow the steps:

Flush mounting

1. Disconnect the mains supply.
2. Remove the knob by pulling it out.
3. Unscrew the washer to remove the cover of the external enclosure.
4. Do the wiring according to the wiring diagram (see **Fig. 1** *Wiring and connections*).
5. Mount the internal enclosure into the wall according to the mounting dimensions shown in **Fig. 2** *Mounting dimensions - flush mounting*.

Fig. 1 Wiring and connections

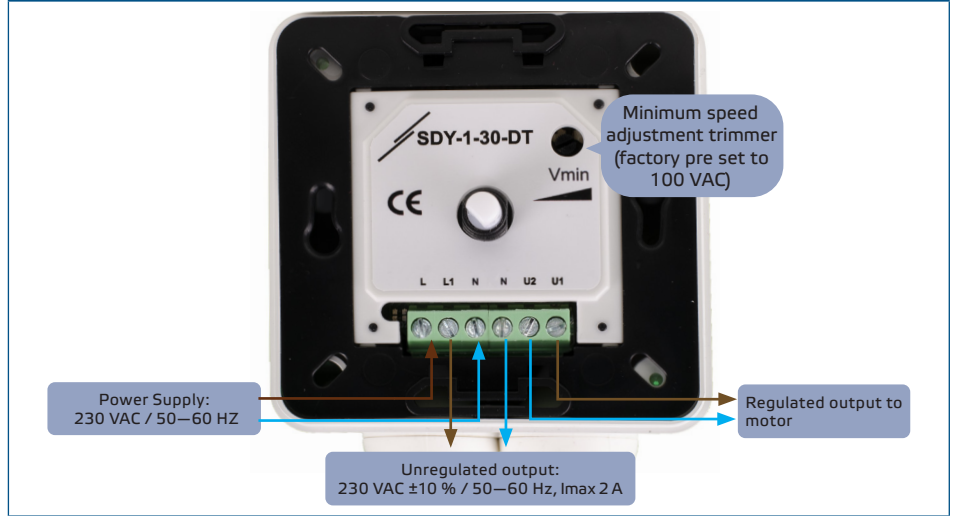
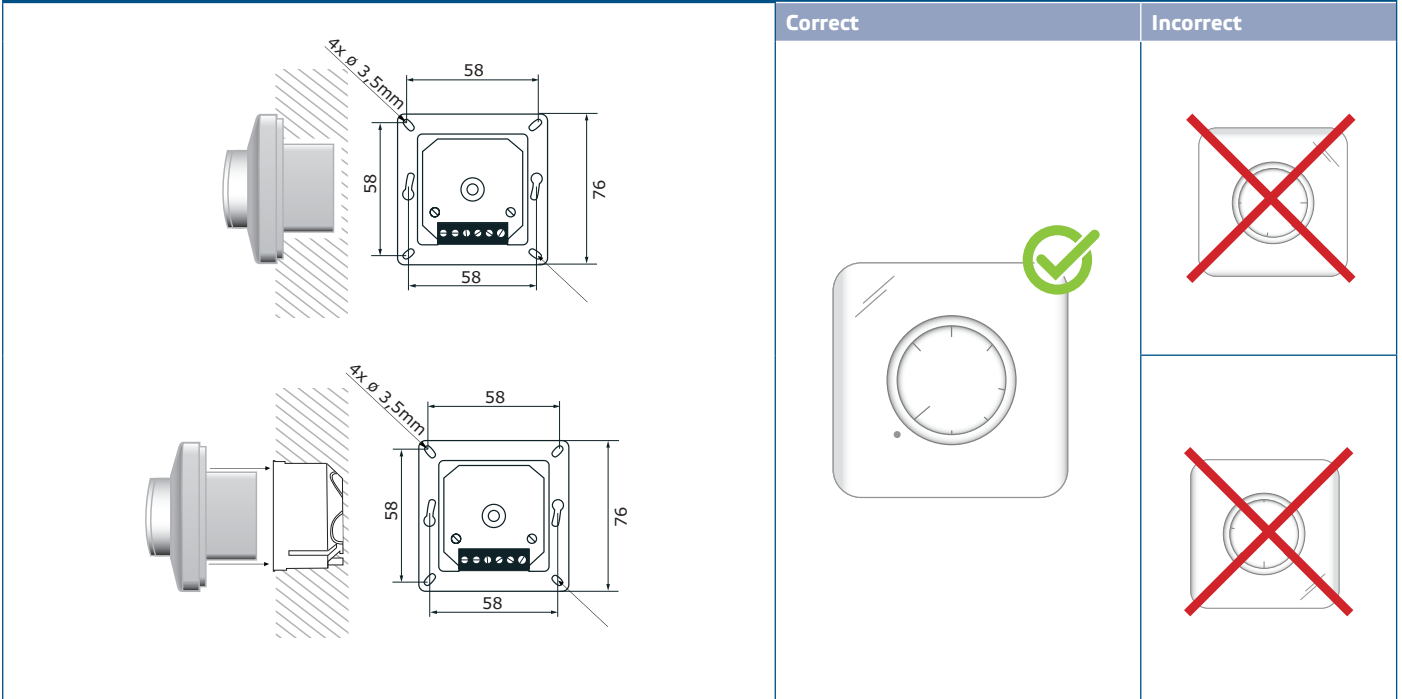


Fig. 2 Mounting dimensions - flush mounting



NOTE

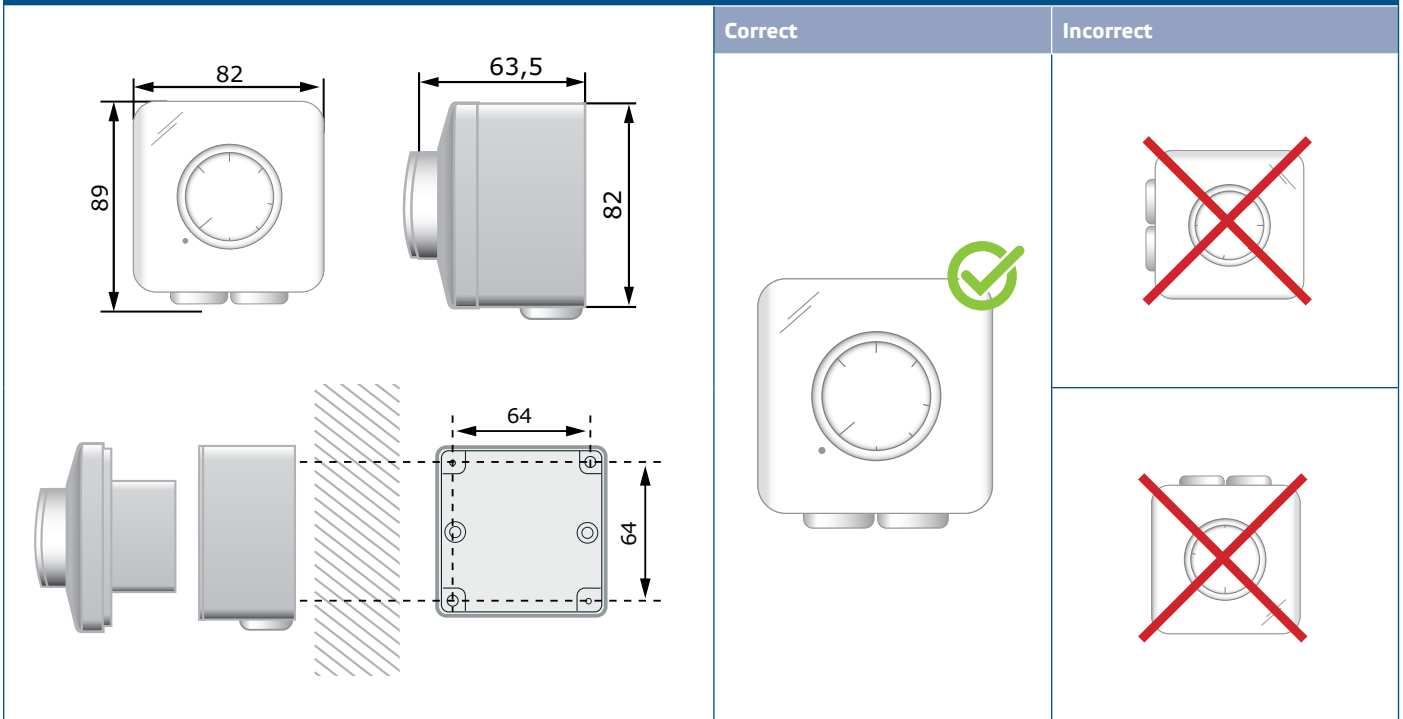
Mount the unit so that the terminal block and connections are at the lower side.

- 6.** Adjust the Vmin trimmer in order to set the minimum speed. The factory setting is 100 VAC.
- 7.** Mount back the cover and secure it with the washer.
- 8.** Put back the knob and turn it to off position.
- 9.** Turn on the power supply.

Surface mounting

- 1.** Disconnect the mains supply.
- 2.** Remove the knob by pulling it out.
- 3.** Unscrew the washer to remove the cover of the external enclosure.
- 4.** Mount the external enclosure onto the surface by means of the screws and dowels adhering to the mounting dimensions shown in **Fig. 3 Mounting dimensions - surface mounting**.

Fig. 3 Mounting dimensions - surface mounting



5. Insert the cables through the grommets.
6. Do the wiring according to the wiring diagram (see **Fig. 1 Wiring and connections**).
7. Insert the internal enclosure into the external one and fix it using the screws.

NOTE

Mount the unit so that the terminal block and connections are at the lower side.

8. Adjust the Vmin trimmer in order to set the minimum speed. The factory setting is 100 VAC.
9. Mount back the cover and secure it with the washer.
10. Put back the knob and turn it to off position.
11. Turn on the power supply.

OPERATING INSTRUCTIONS

ATTENTION

Use only tools and equipment with non-conducting handles when working on electrical devices.

The controller is to be used only with voltage controllable fans / motors. You can connect several motors to the controller as long as the current limit is not exceeded. The motor should be protected against overheating. The minimum speed trimmer should be adjusted so that the motor cannot stall at minimum speed. The controller restarts after power failure.

TROUBLESHOOTING

- In case of faulty operation, please check if:
- the right voltage is applied
 - all connections are correct
 - the machine to be regulated is functioning

TRANSPORT AND STORAGE

Avoid shocks and extreme conditions; stock in original packing.

WARRANTY AND RESTRICTIONS

Two years from the delivery date against defects in manufacturing. Any modifications or alterations to the product after the date of publication relieve the manufacturer of any responsibilities. The manufacturer bears no responsibility for any misprints or mistakes in this data.

MAINTENANCE

In normal conditions this product is maintenance-free. If soiled, clean with a dry or damp cloth. In case of heavy pollution, clean with a non-aggressive product. In these circumstances the unit should be disconnected from the supply. Pay attention that no fluids enter the unit. Only reconnect it to the supply when it is completely dry.