

DSCOM-R | MULTIFUNCTIONAL DUCT TRANSMITTER

Mounting and operating instructions

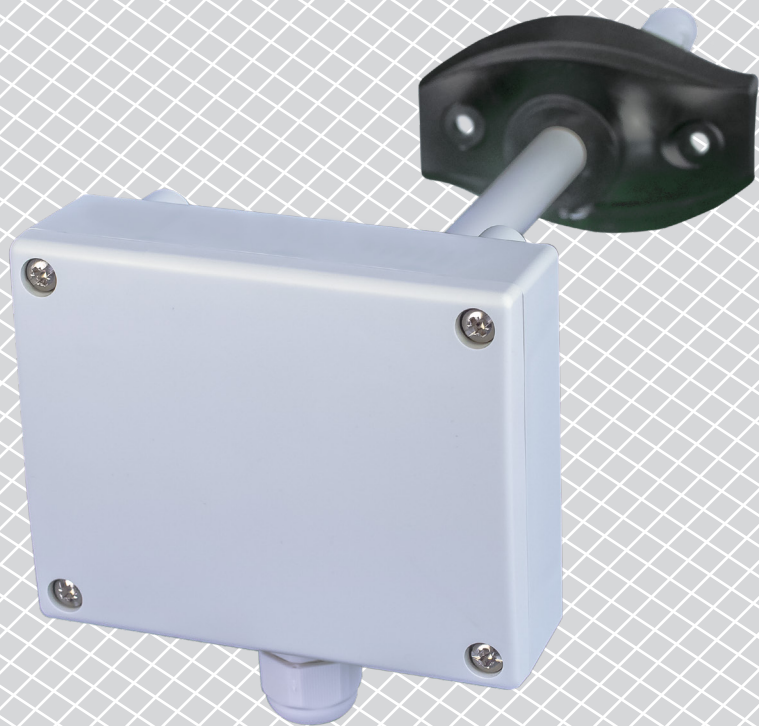


Table of contents

SAFETY AND PRECAUTIONS	3
-------------------------------	----------

PRODUCT DESCRIPTION	4
----------------------------	----------

ARTICLE CODES	4
----------------------	----------

INTENDED AREA OF USE	4
-----------------------------	----------

TECHNICAL DATA	4
-----------------------	----------

STANDARDS	4
------------------	----------

OPERATIONAL DIAGRAMS	5
-----------------------------	----------

WIRING AND CONNECTIONS	5
-------------------------------	----------

MOUNTING & OPERATING INSTRUCTIONS IN STEPS	5
---	----------

OPERATING INSTRUCTIONS	9
-------------------------------	----------

VERIFICATION OF INSTALLATION INSTRUCTIONS	9
--	----------

TRANSPORT AND STORAGE	9
------------------------------	----------

WARRANTY AND RESTRICTIONS	9
----------------------------------	----------

MAINTENANCE	9
--------------------	----------

SAFETY AND PRECAUTIONS



Read all the information, the datasheet, Modbus register maps, mounting and operating instructions and study the wiring and connection diagram before working with the product. For personal and equipment safety, and for optimum product performance, make sure you entirely understand the contents before installing, using, or maintaining this product.



For safety and licensing (CE) reasons, unauthorised conversion and /or modifications of the product are inadmissible.



The product should not be exposed to abnormal conditions, such as: extreme temperatures, direct sunlight or vibrations. Long-term exposure to chemical vapours in high concentration can affect the product performance. Make sure the work environment is as dry as possible; avoid condensation.



All installations shall comply with local health and safety regulations and local electrical standards and approved codes. This product can only be installed by an engineer or a technician who has expert knowledge of the product and safety precautions.



Avoid contacts with energised electrical parts. Always disconnect the power supply before connecting, servicing or repairing the product.



Always verify that you apply appropriate power supply to the product and use appropriate wire size and characteristics. Make sure that all the screws and nuts are well tightened and fuses (if any) are fitted well.



Recycling of equipment and packaging should be taken into consideration and these should be disposed of in accordance with local and national legislation / regulations.



In case there are any questions that are not answered, please contact your technical support or consult a professional.

PRODUCT DESCRIPTION

DSCOM-R are multifunctional duct transmitters which measure temperature, relative humidity, carbon monoxide (CO) and nitrogen dioxide (NO₂) levels in ducts. They are Power over Modbus supplied and all parameters are accessible via Modbus RTU.

ARTICLE CODES

Code	Supply	Connection
DSCOM-R	Power over Modbus, 24 VDC	RJ45

INTENDED AREA OF USE

- Monitoring of temperature, relative humidity, CO and NO₂ levels in ducts
- Underground car park ventilation systems

TECHNICAL DATA

- Supply voltage: 24 VDC, Power over Modbus
- I_{max}: 113 mA
- Selectable temperature range: -30—70 °C
- Selectable relative humidity range: 0—100 % rH
- Selectable CO range: 0—1.000 ppm
- Selectable NO₂ range: 0—10 ppm
- Suitable for duct mounting
- Silicon based sensor elements for CO and NO₂ measurements
- Replaceable CO and NO₂ sensor module
- Accuracy:
 - ▶ ± 0,4 °C (range -30—70 °C)
 - ▶ ± 3% rH (range 0—100 %)
- Bootloader for updating the firmware via Modbus RTU communication
- Long-term stability and accuracy
- Enclosure and probe material:
 - ▶ ASA, grey (RAL9002)
- Protection standard: enclosure: IP54, probe: IP20
- Typical range of use:
 - ▶ temperature: -30—70 °C
 - ▶ rel. humidity: 0—100 % rH (non-condensing)
 - ▶ CO: 0—1.000 ppm
 - ▶ NO₂: 0—10 ppm
- Storage temperature: -10—60 °C

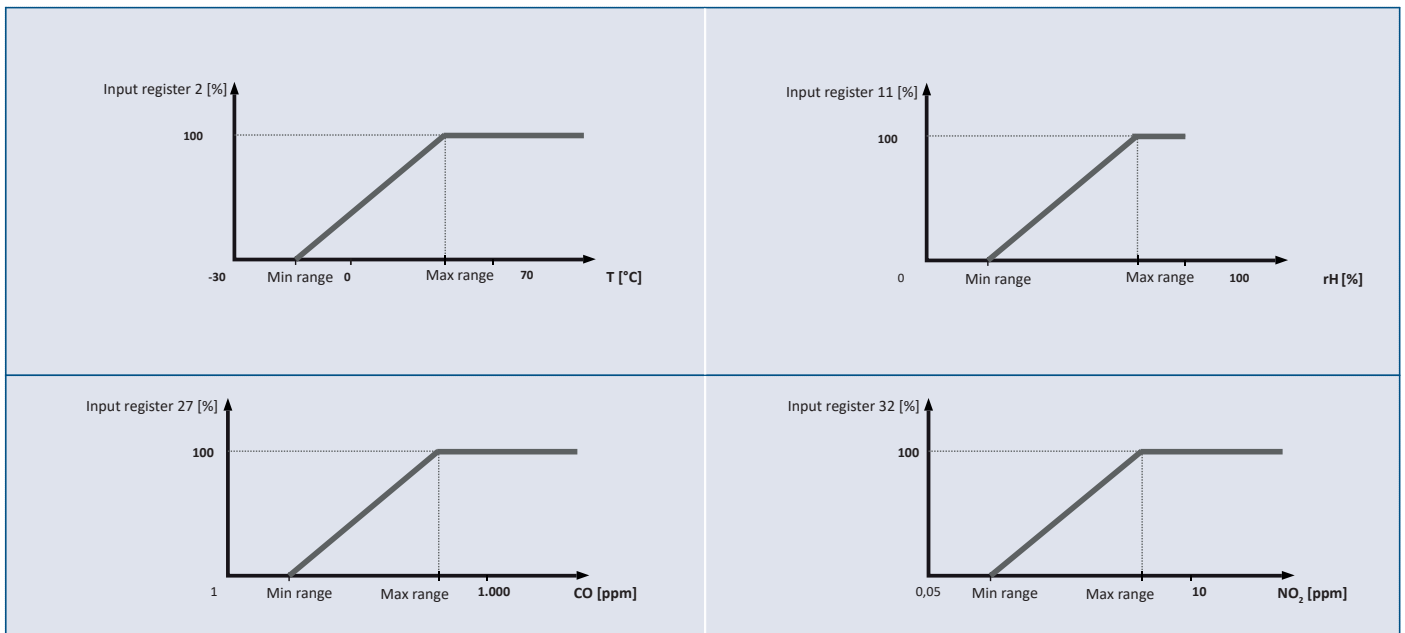
STANDARDS

- EMC Directive 2014/30/EC: CE
 - ▶ EN 61000-6-1:2007 Electromagnetic compatibility (EMC) - Part 6-1: Generic standards - Immunity for residential, commercial and light-industrial environments
 - ▶ EN 61000-6-3:2007 Electromagnetic compatibility (EMC) - Part 6-3: Generic standards - Emission standard for residential, commercial and light-industrial environments Amendments A1:2011 and AC:2012 to EN 61000-6-3
 - ▶ EN 61326-1:2013 Electrical equipment for measurement, control and laboratory use - EMC requirements - Part 1: General requirements
 - ▶ EN 61326-2-3:2013 Electrical equipment for measurement, control and

laboratory use - EMC requirements - Part 2-3: Particular requirements - Test configuration, operational conditions and performance criteria for transducers with integrated or remote signal conditioning

- WEEE Directive 2012/19/EC
- RoHS Directive 2017/2102/EU

OPERATIONAL DIAGRAMS



WIRING AND CONNECTIONS

RJ45 socket (Power over Modbus)		
Pin 1	24 VDC	Supply voltage
Pin 2		
Pin 3	A	Modbus RTU communication, signal A
Pin 4		
Pin 5	/B	Modbus RTU communication, signal /B
Pin 6		
Pin 7	GND	Ground, supply voltage
Pin 8		

MOUNTING & OPERATING INSTRUCTIONS IN STEPS

Before you start mounting the unit, read carefully **“Safety and Precautions”**.

NOTE

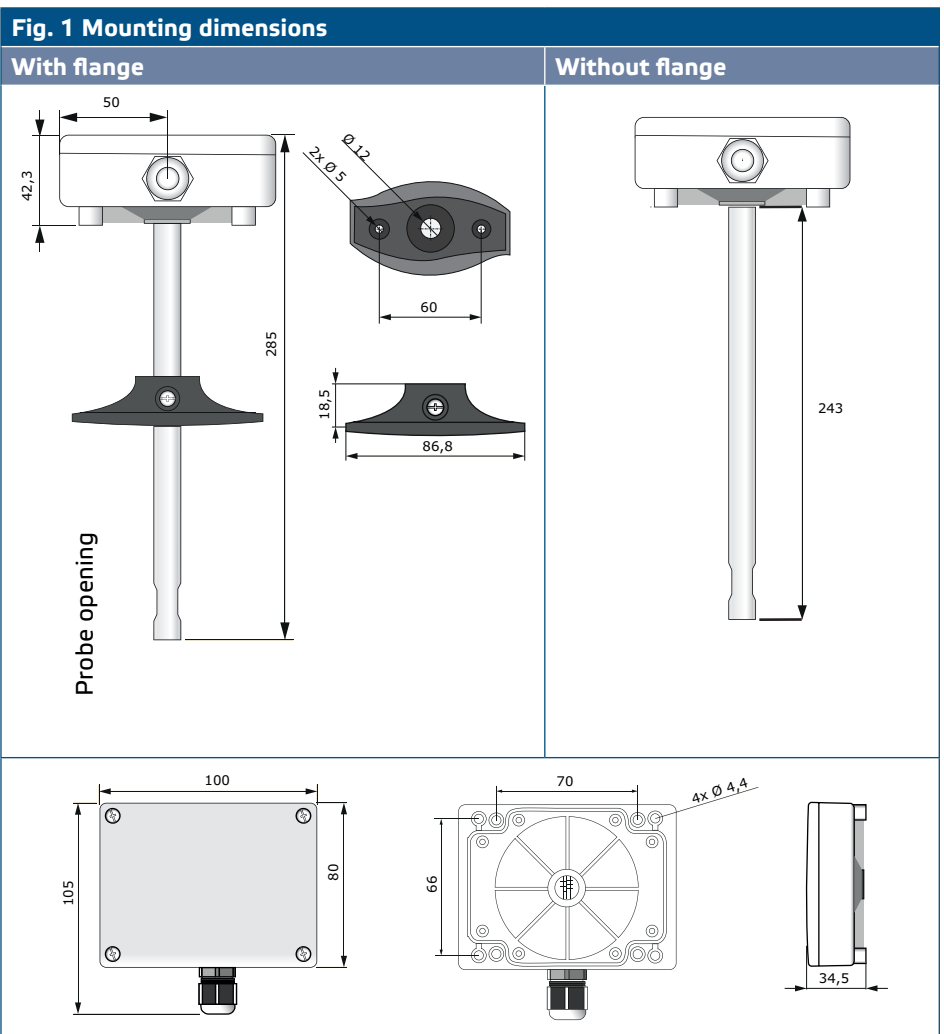
The sensor is not designed, manufactured or intended for control or monitoring equipment in environments requiring life safety performance, in which the failure of the sensor could lead directly to death, personal injury, or severe physical or environmental damage.

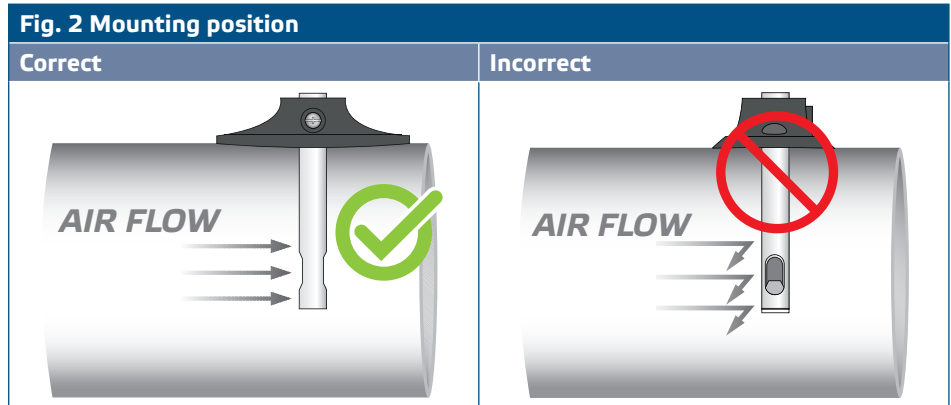
NOTE

The compounds released from plastics may influence the sensor readings. Please allow several days for the sensor to stabilize before you obtain the accurate values.

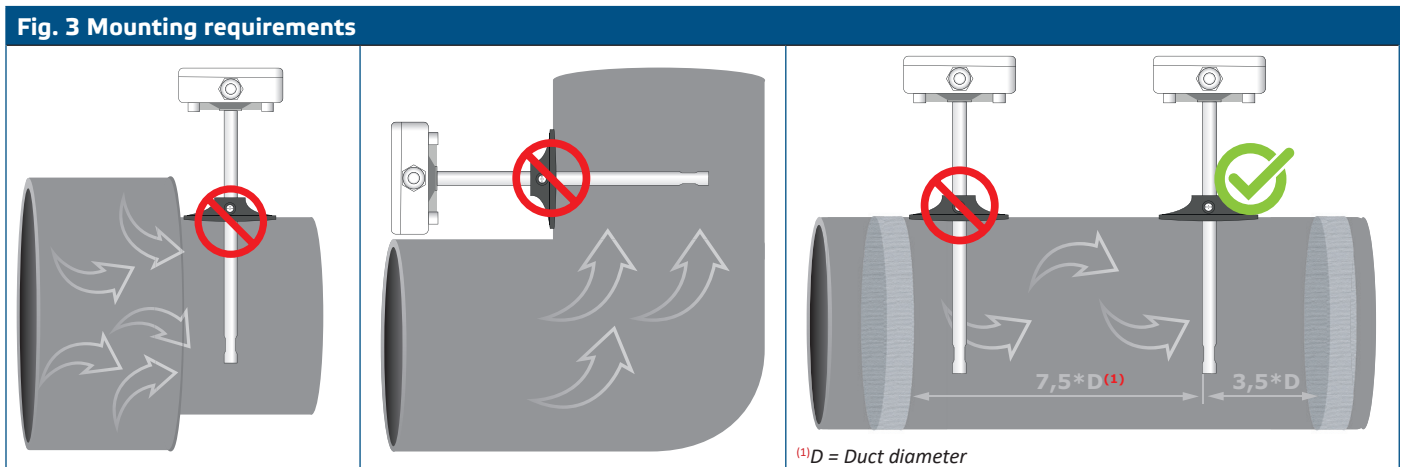
Follow these steps:

1. When preparing to mount the unit, bear in mind that the probe opening must be positioned in the centre of the duct. Always use the flange to install the sensor on round ducts. It is possible to install the sensor without the flange on rectangular ducts (if necessary), see **Fig. 1** and **Fig. 2** below.





2. Having selected the appropriate mounting location, proceed with the following steps:
 - 2.1 Drill a tight-sealing \varnothing 13 mm hole into the duct.
 - 2.2 Fix the flange onto the duct outer surface using the self-drilling screws delivered with the unit. If you do not intend to use the flange, insert the probe and fix the enclosure onto the duct. Mind the airflow direction (see Fig. 2 and Fig. 3).



ATTENTION

Installation requirements: The unit must not be installed in turbulent air zones. Ensure sufficiently long settling zones upstream and downstream of the tapping point. A settling zone consists of a straight section of pipe or duct with no obstructions. Avoid installation near filters, cooling coils, fans, etc. The sensor will achieve the optimal result when the measurement is taken at least 7,5 duct diameters downstream and at least 3 duct diameters upstream from any turns or flow obstructions.

ATTENTION

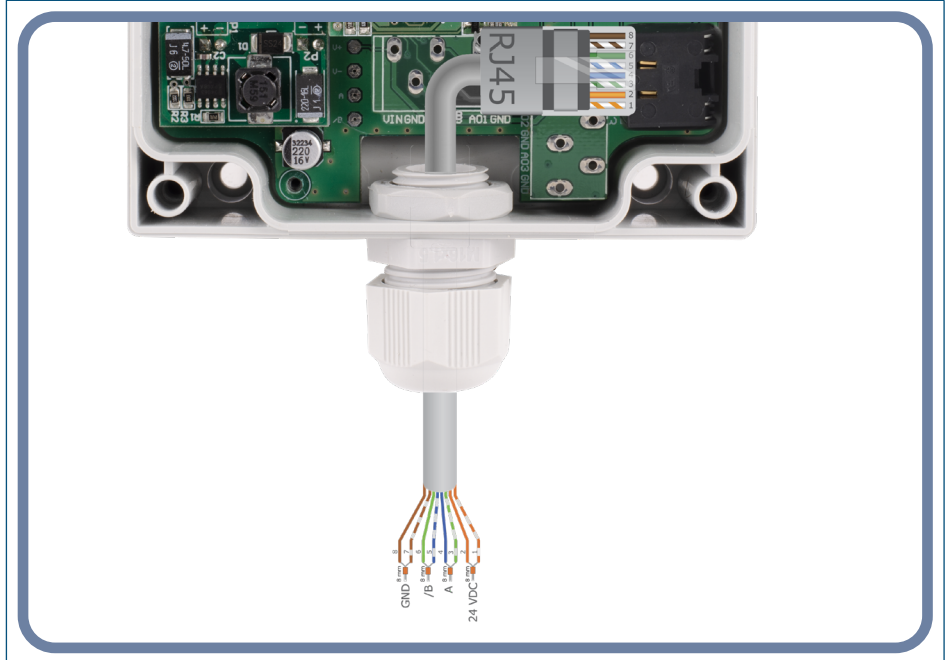
Installation of the unit near high EMI-emitting devices may lead to faulty measurements. Use shielded wiring in areas with high EMI.

ATTENTION

Keep at least 15 cm distance between the sensor lines and the 230 VAC power lines.

- 2.3 Install the probe at the desired depth and; in case you use the flange, fix it via the plastic white screw in the flexible flange.
- 2.4 Unscrew the cover of the unit to remove it and insert the connecting cables through the cable gland of the unit.
- 2.5 Crimp the RJ45 cable and plug it into the socket, see Fig. 4 and section "Wiring and connections" above.

Fig. 4 Wiring and connections



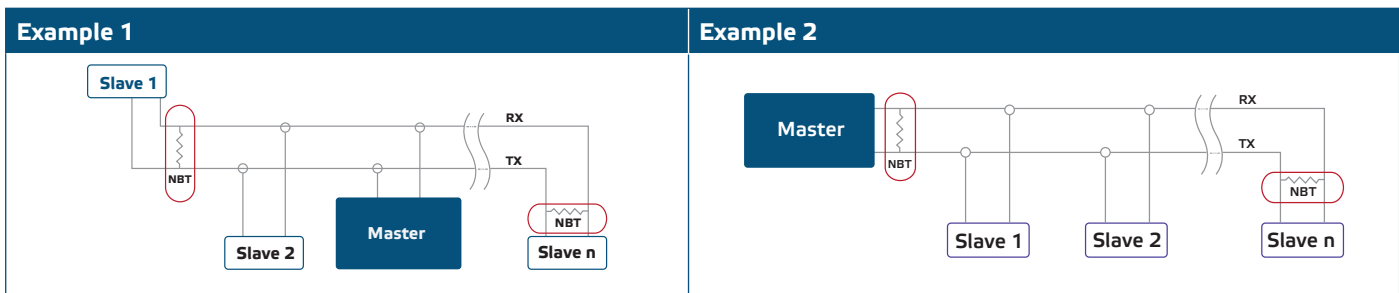
3. Close the enclosure and secure it with the screws. Tighten the cable gland to retain the IP rating of the enclosure.
4. Switch on the mains supply.
5. Customise the factory settings to the desired ones via the SenteraWeb, 3SModbus software or Sensistant (if necessary). For the default factory setting refer to the product *Modbus register map*.

NOTE

For the complete Modbus register data, refer to the product Modbus Register Map, which is a separate document attached to the article code on the website and contains the registers list. Products with earlier firmware versions may not be compatible with this list.

Optional settings

To assure correct communication, the NBT needs to be activated in only two devices on the Modbus RTU network. If necessary, enable the NBT resistor via 3SModbus or Sensistant (*Holding register 9*).



NOTE

On a Modbus RTU network, two bus terminators (NBTs) need to be activated.

CAUTION

Do not expose to direct sunlight!

OPERATING INSTRUCTIONS

Calibration procedure

All sensor elements are calibrated and tested in our factory. In the unlikely event of CO / NO₂ sensor element failure, this component can be replaced.

Firmware update

New functionalities and bug fixes are made available via a firmware update. In case your device does not have the latest firmware installed, it can be updated. SenteraWeb is the easiest way to update the unit firmware. In case you do not have an internet gateway available, the firmware can be updated via the 3SM boot application (part of the Sentera 3SMcenter software suite).



NOTE

Make sure the power supply does not get interrupted during "bootload" procedure.

VERIFICATION OF INSTALLATION INSTRUCTIONS

If your unit does not function as expected, please check the connections.

TRANSPORT AND STORAGE

Avoid shocks and extreme conditions; stock in original packing.

WARRANTY AND RESTRICTIONS

Two years from the delivery date against defects in manufacturing. Any modifications or alterations to the product after the date of publication relieve the manufacturer of any responsibilities. The manufacturer bears no responsibility for any misprints or mistakes in this data.

MAINTENANCE

In normal conditions this product is maintenance-free. If soiled, clean with a dry or damp cloth. In case of heavy pollution, clean with a non-aggressive product. In these circumstances the unit should be disconnected from the supply. Pay attention that no fluids enter the unit. Only reconnect it to the supply when it is completely dry.