

# W-KD Rubber grommet



W-KD-XX-M20 are general-purpose grommets providing a tight sealing for cables and IP67 waterproof cable routing and anchoring. They are made of high-quality rubber and are available in 3 colours.

## Key features

- Dust and water tight sealing
- M20 metric size
- Ideal where space is restricted - less protrusion and space needed
- Automated production process ensuring the same evenness and high quality of the product
- Resistant to common fluids and solvents
- Simple, quick and easy to install
- Sealed before and after cable installation without the need of any plugs
- No need for threaded holes or lock-nuts
- Cost-effective solution

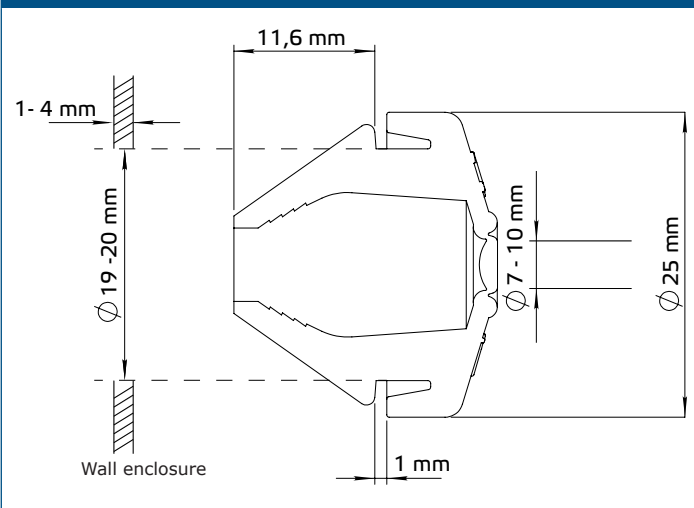
## Area of use

- For use in areas where cables and wires need to be safely put through the walls of enclosures

## Technical specifications

Material	Rubber TPV
Protection standard	IP67 (according to EN 60529)
Temperature range	-60–135 °C

## Dimensions



## Connected cable



## Article codes

Article code	Internal thread	Colour
W-KD-WH-M20	7–10 mm	white (RAL 9010)
W-KD-LG-M20		grey (RAL 7035)
W-KD-BK-M20		black (RAL 9005)

## Standards

- RoHS Directive 2017/2102/EU



## Packaging



Article	Packaging	Length [mm]	Width [mm]	Height [mm]	Net weight	Gross weight
W-KD-XX-M20	Bag (100 pcs.)	-	190	250	0,5 kg	0,51 kg
	Box (1000 pcs.)	430	300	190	5 kg	5,4 kg

## Global trade item numbers (GTIN)

Article	Unit	Box
W-KD-WH-M20	05401003008393	05401003501894
W-KD-LG-M20	05401003008386	05401003501887
W-KD-BK-M20	05401003008379	05401003501870