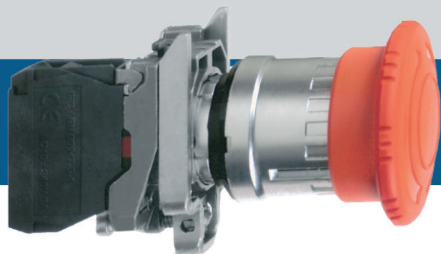


W-BUTEMSTM01

Emergency stop push button M22



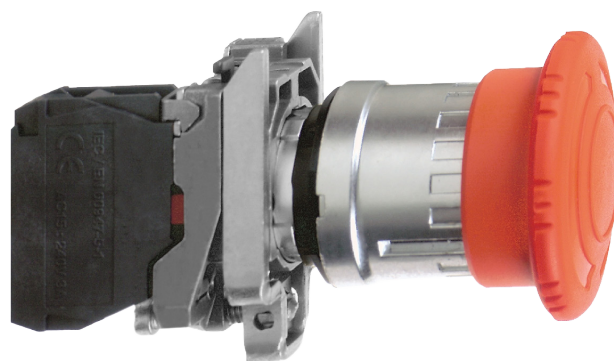
W-BUTEMSTM01 is a pushbutton for complete emergency switching of devices. It features mechanical latching and is released via turning.

Key features

- Push to activate, turn to reset
- Panel mounting M22 mounting diameter
- 1 slow-break NC contact
- Red unmarked mushroom D40 mm
- Vibration and shock resistance

Technical specifications

Mounting diameter	22 mm	
Type of operator	Mechanical latching, turn to release	
Operator profile	Red mushroom Ø 40 mm, unmarked	
Contacts type and composition	1 NC	
Rated operational current	0.1 A 600 V DC-13 Q600 EN/IEC 60947-5-1 0.27 A 250 V DC-13 Q600 EN/IEC 60947-5-1 0.55 A 125 V DC-13 Q600 EN/IEC 60947-5-1 1.2 A 600 V AC-15 A600 EN/IEC 60947-5-1 3 A 240 V AC-15 A600 EN/IEC 60947-5-1 6 A 120 V AC-15 A600 EN/IEC 60947-5-1	
Contact operation	Slow-break	
Electrical durability	1000000 cycles DC-13 0.5 A 24 V 3600 cyc/h 0.5 EN/IEC 60947-5-1 appendix C 1000000 cycles DC-13 0.2 A 110 V 3600 cyc/h 0.5 EN/IEC 60947-5-1 appendix C 1000000 cycles AC-15 3 A 120 V 3600 cyc/h 0.5 EN/IEC 60947-5-1 appendix C 1000000 cycles AC-15 4 A 24 V 3600 cyc/h 0.5 EN/IEC 60947-5-1 appendix C 1000000 cycles AC-15 2 A 230 V 3600 cyc/h 0.5 EN/IEC 60947-5-1 appendix C	
Ambient conditions	Operating temperature	-25—70 °C
	Storage temperature	-40—70 °C
Protection class	IP66	



Connections

Connection terminals	Screw clamp terminals $\leq 2 \times 1,5 \text{ mm}^2$ with cable end according to EN 60947-1
	Screw clamp terminals $\geq 1 \times 0,22 \text{ mm}^2$ without cable end according to EN 60947-1
Clamping thickness	1—6 mm

Standards

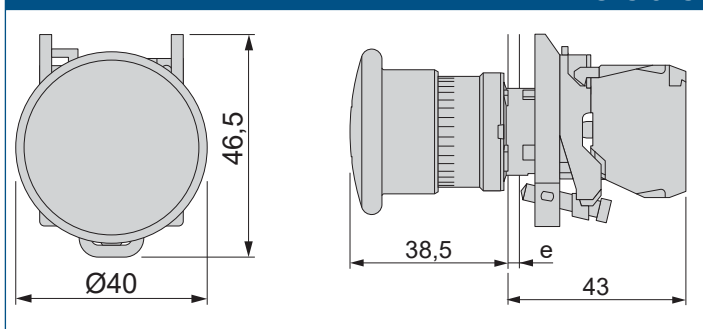
• RoHS Directive 2017/2102/EU



• WEEE 2012/19/EC

- CSA C22-2 No 14
- EN/IEC 60947-1
- EN/IEC 60947-5-1
- EN/IEC 60947-5-4
- EN/IEC 60947-5-5
- IEC 60364-5-53
- JIS C 4520
- UL 508

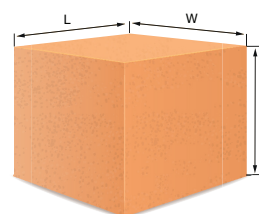
Dimensions



Area of use

- Emergency switching off of devices

Packaging



Article code	Packaging	Length [mm]	Width [mm]	Height [mm]	Net weight	Gross weight
W-BUTEMSTM01	Unit (1 pc.)	54	44	88	0,118 kg	0,121 kg