



# SMT-D

## Control switch

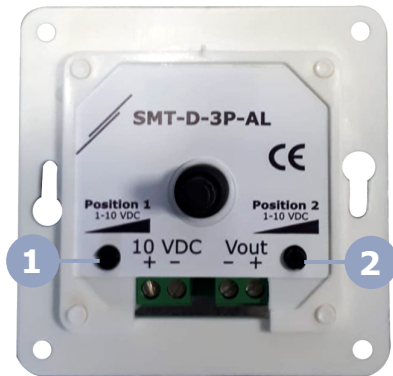
The SMT-D control switches are to be used with EC motors. The speed of an EC motor is controlled via an analog input signal of 0–10 VDC. The SMT-D divides this control signal into different steps. Two of the output voltages can be adjusted according to the environmental requirements (switch positions 1 and 2). They are a percentage of the supply voltage ( $U_s = 10$  VDC). There are two article types available: SMT-D-3P without off-position and SMT-D-4P with off-position. The splash-proof enclosure of the switches make them suitable for applications with demanding environment (e.g. for kitchens or bathrooms).

### Key features

- Rotary knob for manual speed adjustment
- Three (SMT-D-3P) or four (SMT-D-4P) step output voltages
- Two selectable output voltages by trimmers
- Splash-proof enclosure suitable for inset mounting or surface mounting in demanding environment

### Technical specifications

Protection standard	IP44 / IP54 (according to EN 60529)	
Ambient conditions	Temperature	-20–40 °C
	Rel. humidity	< 100 % rH (non-condensing)



### Wiring and connections

10 VDC (+, -)	Supply voltage $U_s$ 10 VDC
Minimum load	54 k $\Omega$
Maximum load	86 k $\Omega$
Connections	Cable cross section: max. 2,5 mm <sup>2</sup>

### Settings

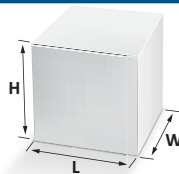
1 - Trimmer 1	Adjusts the output voltage between 1–10 VDC at switch position 1
2 - Trimmer 2	Adjusts the output voltage between 1–10 VDC at switch position 2

### Standards

- Low Voltage Directive 2006/95/EC



### Packaging



Article	Packaging	Length [mm]	Width [mm]	Height [mm]	Net weight	Gross weight
SMT-D	Unit (1 pc.)	85	95	70,5	0,15 kg	0,17 kg
	Carton (10 pcs.)	485	175	84	1,51 kg	1,86 kg
	Box (60 pcs.)	580	370	280	9,06 kg	12,15 kg

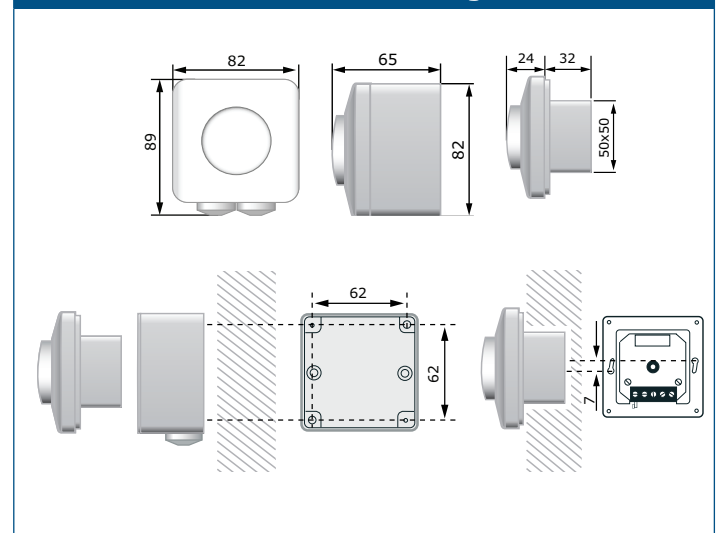
### Article codes

	Supply, $U_s$	Position 0	Position 1	Position 2	Position 3
SMT-D-3P-AL	10 VDC	-	10–100 % $U_s$	10–100 % $U_s$	10 VDC
SMT-D-4P-AL	10 VDC	0 VDC	10–100 % $U_s$	10–100 % $U_s$	10 VDC

### Area of use

- Speed control of EC-fans in ventilation systems
- Voltage control where manual adjustment of 0–10 VDC signals are needed

### Fixing and dimensions





# SMT-D

Control switch

### Global trade item numbers (GTIN)

Article	Unit	Carton	Box
<b>SMT-D-3P-AL</b>	05401003014684	05401003302026	05401003502945
<b>SMT-D-4P-AL</b>	05401003014691	05401003302033	05401003502952