

# SC2A4

## 3-phase 400 VAC two-speed transformer controller with TK and start / stop



The SC2A4 series of transformer fan speed controllers regulate the rotational speed of three-phase voltage controllable motors by varying the output voltage. They are equipped with auto-transformers and control the speed manually in five steps. The controller makes it possible to select two optimal motor speeds and to switch these by a contact (e.g. day / night control). In this way important energy savings can be realised. The used technology provides a regulated output voltage with a perfect sinusoidal shape.

### Key features

- Wide power range: 1,5 A—11,0 A
- Each speed is adjustable by 5-step rotary switch (knobs) plus off-position
- TK monitoring for thermal motor protection
- Auto restart after power failure
- Two start / stop contacts for remote ON / OFF switching
- Contact for external clock (high / low switching)
- Alarm output
- LED status indication
- Two speeds selectable by external contact (e.g. clock)

### Technical specifications

Supply voltage	3x 400 VAC / 50—60 Hz	
Max. motor current (Imax)	1,5—11 A, depending on the product version	
Unregulated output	230 VAC / 2 A	
Enclosure	sheet steel (RAL 7035, polyester powder coating)	
Protection standard	IP54 (according to EN 60529)	
Ambient conditions	Temperature	-20—35 °C
	Rel. humidity	5—95 % rH (non-condensing)

### Article codes

Article code	Rated max. current [A]
SC2A4-15L55	1,5
SC2A4-25L55	2,5
SC2A4-40L55	4,0
SC2A4-60L55	6,0
SC2A4-80L55	8,0
SC2A4110L55	11,0

### Voltage

Knob position	0	-	1	2	3	4	5
<b>Regulated output [VAC]</b>							
<b>Speed 1 - High (left knob)*</b>	0	-	210	250	290	330	400
<b>Speed 2 - Low (right knob)*</b>	0	-	130	170	210	250	290
<b>Unregulated output [VAC]</b>							
<b>L1</b>	0	230	230	230	230	230	230

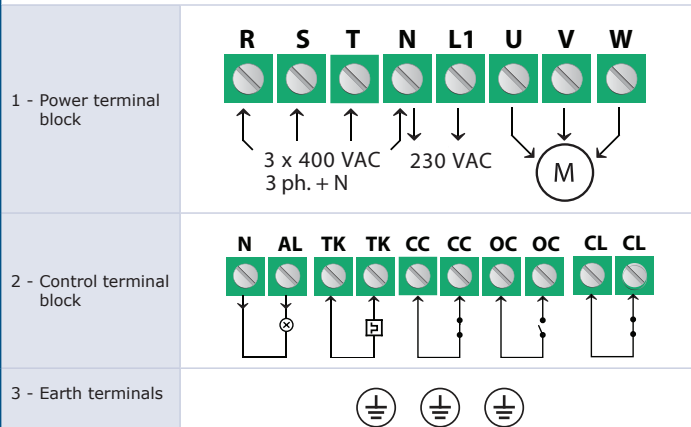
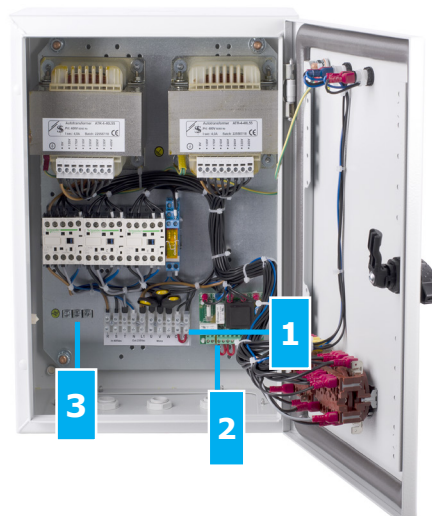
\*If more than 5 output voltages are available, it is possible to adjust the 5 steps by changing the internal wiring.

### Area of use

- Speed control of voltage controllable 400 V three-phase motors (pumps and fans)
- For indoor use only



### Legend



# SC2A4

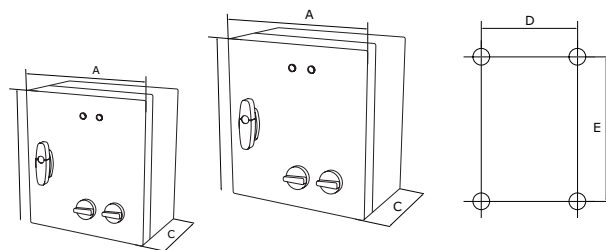
3-phase 400 VAC two-speed transformer controller with TK and start / stop



## Wiring and connections

Pe	Earth terminals
R	
S	Power supply 3*400 VAC / 50–60 Hz
T	
N	Neutral
L1	Unregulated output, phase (230 VAC / 50–60 Hz / 2 A) (remains powered in standby mode)
U	
V	Regulated output to motor
W	
N	
AL	Alarm output (230 VAC / 1 A)
TK	
TK	Input - TK monitoring for thermal motor protection
CC	
CC	Input - normally closed contact for remote ON /OFF
OC	
OC	Input - normally open contact for remote ON /OFF
CL	
CL	Normally closed contact for external clock - high / low switching

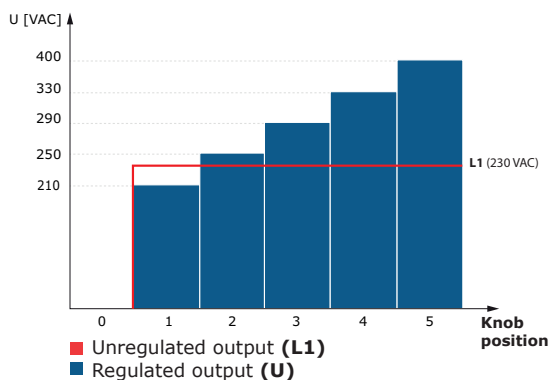
## Fixing and dimensions



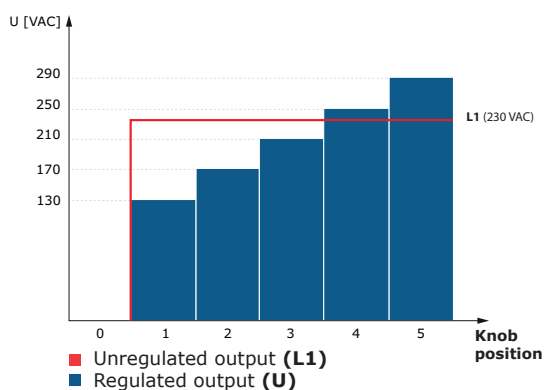
Article code	A [mm]	B [mm]	C [mm]	D [mm]	E [mm]
SC2A4-15L55	300	325	175	255	255
SC2A4-25L55	300	325	175	255	255
SC2A4-40L55	300	425	225	255	355
SC2A4-60L55	400	425	225	355	355
SC2A4-80L55	400	425	225	355	355
SC2A4110L55	400	430	235	355	355

## Operational diagrams

### Speed 1 - High



### Speed 2 - Low



## Standards

• Low Voltage Directive 2014/35/EC

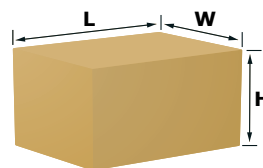


• EMC Directive 2014/30/EC: EN 61326

• WEEE Directive 2012/19/EC

• RoHs Directive 2011/65/EC

## Packaging



Article code	Packaging	Length [mm]	Width [mm]	Height [mm]	Net weight [kg]	Gross weight [kg]
SC2A4-15L55	Unit (1 pc.)	340	310	210	11,21	11,67
SC2A4-25L55	Unit (1 pc.)	340	310	210	12,59	13,05
SC2A4-40L55	Unit (1 pc.)	430	310	205	18,12	18,65
SC2A4-60L55	Unit (1 pc.)	430	310	255	21,66	22,25
SC2A4-80L55	Unit (1 pc.)	430	310	255	26,91	27,50
SC2A4110L55	Unit (1 pc.)	455	410	255	36,67	37,41