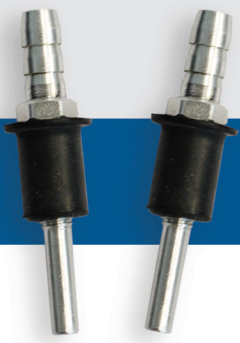


PSET-QF

Quick fit differential pressure connection set



Contents

Element	Pcs.	Material	Details
Orifice	2	Aluminium	Length: 46,4 mm Connecting end diameter: Ø 4 mm
Flexible tubing	1	PVC, transparent	Diameter: Ø 5 x 7 mm Length: 200 cm
Washer	2	Zinc plated	Type: plain Diameter: M5, 15 mm

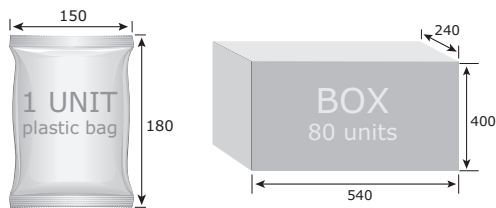
Technical specifications

Working pressure	max. 10.000 Pa
Operating temperature	max. 60 °C

Standards

- WEEE Directive 2012/19/EU

Packaging



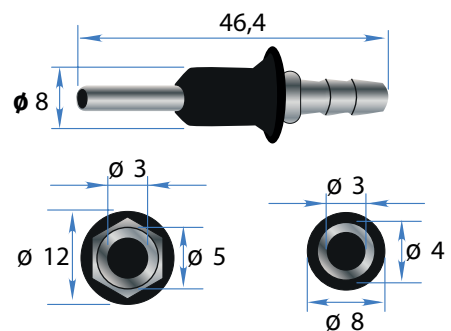
Article	Packaging	Length [mm]	Width [mm]	Height [mm]	Net weight	Gross weight
PSET-QF-200	Unit (1 pc.)	18	15	0,5	0,60 kg	0,60 kg
	Box (80 pcs.)	550	410	250	4,80 kg	5,63 kg



Article codes

	Tubing length
PSET-QF-200	200 cm

Fixing and dimensions

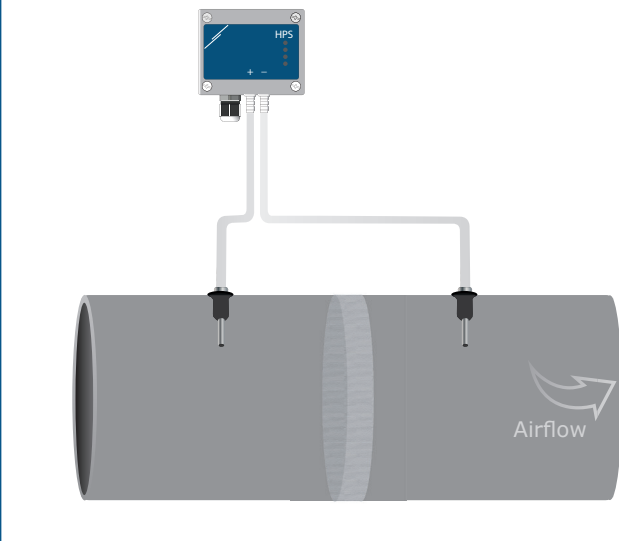


PSET-QF

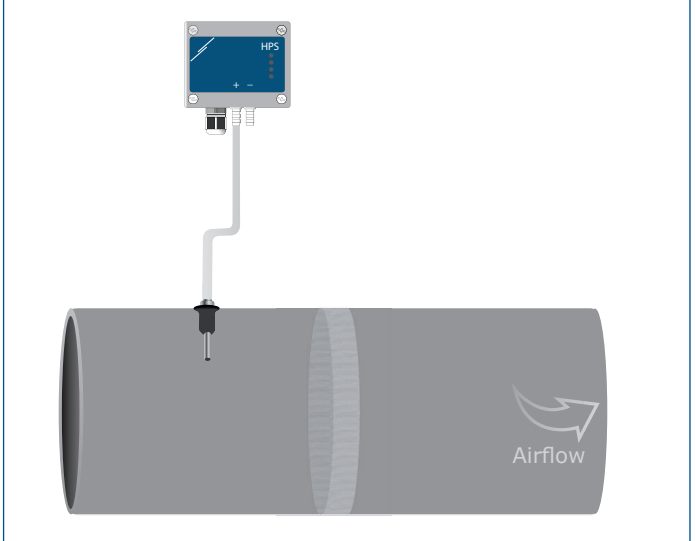
Quick fit differential pressure connection set



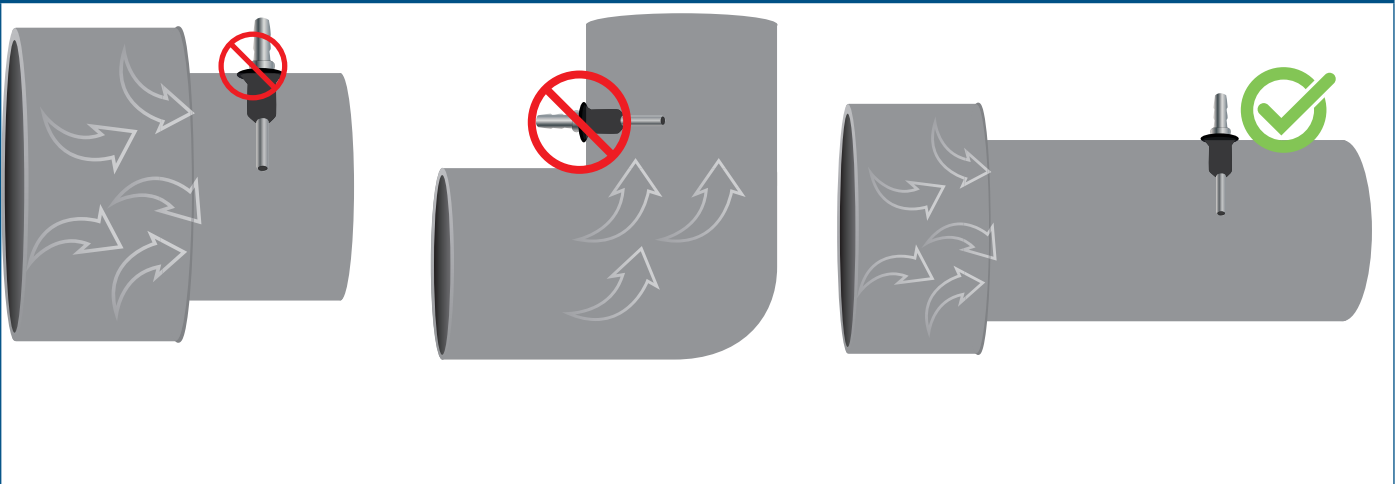
Application 1: Detection of clogged filter



Application 2: Detection of supplied air volume [m³/h]



Mounting position



Installation requirements: Correct positioning of the PSET-QF connection ends is critical for reliable and accurate parameter readings in ducts, therefore they should be placed far enough from any sources of air turbulence. The minimum distance the connection ends should be placed from the source of turbulence is a function of the duct diameter. Also, install the connection ends far enough from bends, junctions or section changes in the duct to ensure accurate readings.

Global trade item numbers (GTIN)

Packaging	PSET-QF-200
Unit	05401003010808
Box	05401003502396