



KD

Rubber grommet

KD-XX-M20 are general-purpose grommets providing a tight sealing for cables and IP67 waterproof cable routing and anchoring. They are made of high quality rubber and are available in 3 colours.

Key features

- Dust and water tight sealing
- M20 metric size
- Ideal where space is restricted - less protrusion and space needed
- Automated production process ensuring the same evenness and high quality of the product
- Resistant to common fluids and solvents
- Simple, quick and easy to install
- Sealed before and after cable installation without the need of any plugs
- No need for threaded holes or lock-nuts
- Cost effective solution

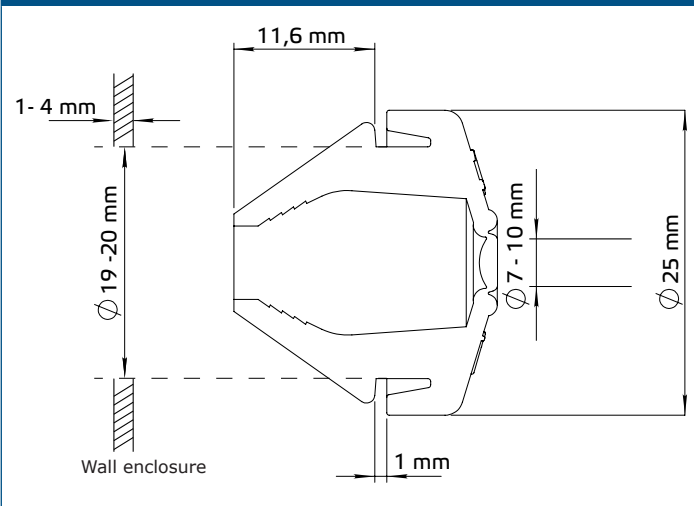
Area of use

- For use in areas where cables and wires need to be safely inserted through the walls of enclosures

Technical specifications

Material	Rubber TPV
Protection standard	IP67 (according to EN 60529)
Temperature range	-60–135 °C

Dimensions



Connected cable



Article codes

Article code	Internal thread	Colour
KD-WH-M20	7–10 mm	white (RAL 9010)
KD-LG-M20		grey (RAL 7035)
KD-BK-M20		black (RAL 9005)

Standards

- RoHS Directive 2017/2102/EU



Packaging



Article	Packaging	Length [mm]	Width [mm]	Height [mm]	Net weight	Gross weight
KD-XX-M20	Pack (100 pcs.)	-	190	250	0,5 kg	0,51 kg
	Box (1000 pcs.)	430	300	190	5 kg	5,4 kg

Global trade item numbers (GTIN)

Article	Unit	Box
KD-WH-M20	05401003008393	05401003501894
KD-LG-M20	05401003008386	05401003501887
KD-BK-M20	05401003008379	05401003501870