

GTEE1

Electronic temperature controller for fan and heater

The GTEE1 fan speed controller automatically regulates the speed of single phase voltage controllable motors (230 VAC / 50–60 Hz) according to the measured temperature values and controls a heater according to a temperature setpoint. The fan speed will increase as the measured temperature exceeds the setpoint temperature.

Key features

- Plug and play, no wiring needed
- 3 Schuko Euro sockets for connecting a supply fan, an extraction fan and a heater
- Integrated 4 m flying lead PT500 temperature probe
- All sockets are separately and externally fused
- Integrated external plate for easy wall fixing
- Potentiometer for temperature setpoint range: 5–35 °C
- Potentiometers for minimum and maximum speed setting

Area of use

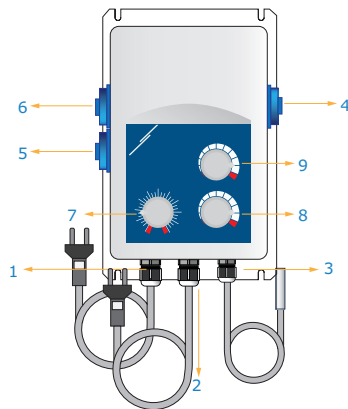
- Ventilation control by single phase 230 VAC units in function of the measured temperature. Application field: greenhouses, stables, sheds, etc.
- Temperature controlled ventilation systems
- For indoor use only

Article codes

Article code	Combined maximum current consumption of the fans
GTEE1-30-DT	3 A
GTEE1-60-DT	6 A



Wiring and connections



1 - Standard power supply Euro plug cable for heater (1,5 m)	Power supply	230 VAC / 50–60 Hz
2 - Standard power supply Euro plug cable for controller (1,5 m)	Power supply	230 VAC / 50–60 Hz
3 - Temperature sensor probe	Length	4 m, connected to PT500
	Resistance	500 Ω at 0 °C
4 - AC extraction fan socket	Load connection	230 VAC / 50–60 Hz
5 - AC supply fan socket		230 VAC / 50–60 Hz; I _{max} 16 A (3,6 kW)
6 - Heater socket		
7 - Temperature setpoint potentiometer	Operating range	5–35 °C, 1 °C scale
8 - V _{min} speed potentiometer		80–160 VAC
9 - V _{max} speed potentiometer		180–230 VAC

Technical specifications

Supply voltage	230 VAC ±10 % / 50–60 Hz	
Output load, I _{max}	GTEE1-30-DT: 3A GTEE1-60-DT: 6A	
V _{min} adjustable via potentiometer	80–160 VAC	
V _{max} adjustable via potentiometer	180–230 VAC	
Proportional range	3 °C	
Temperature range	5–35 °C	
Protection class	IP54	
Ambient conditions	Operating temperature	-10–40 °C
	Relative humidity	5–85 % rH

Standards

- Low Voltage Directive 2014/35/EC
- EMC Directive 2014/30/EC: EN 61000-6-3:2007/A1:2011/AC:2012, EN 61000-6-2:2005/AC:2005



Global trade item numbers (GTIN)

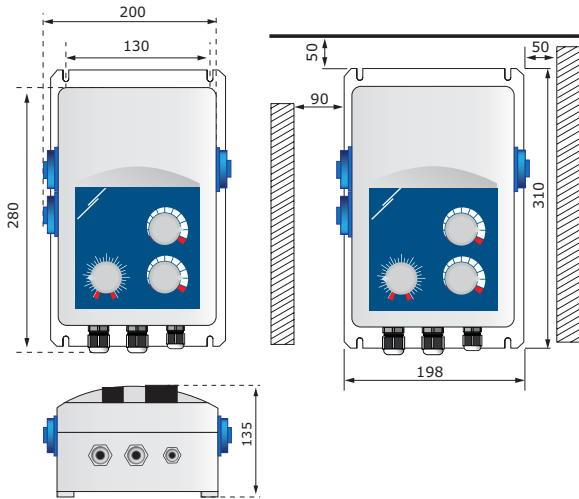
Packaging	GTIN
GTEE1-30-DT	05401003007334
GTEE1-60-DT	05401003007341

GTEE1

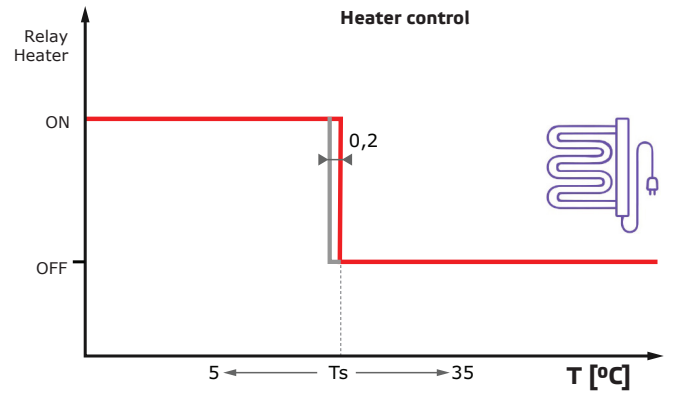
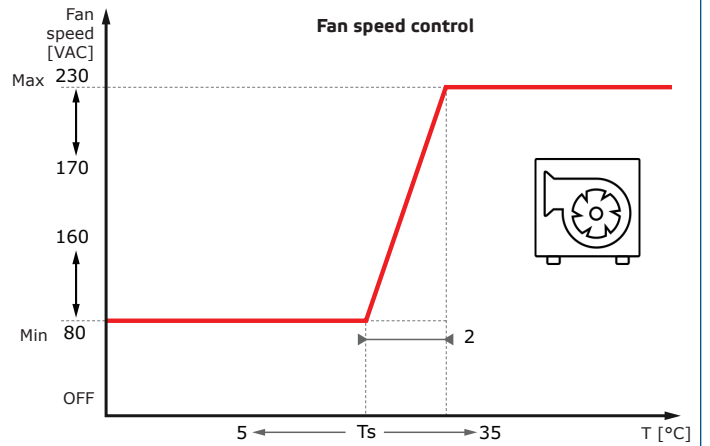
Electronic temperature controller for fan and heater



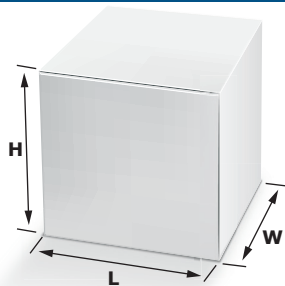
Fixing and dimensions



Operational diagrams



Packaging



Article	Packaging	Length [mm]	Width [mm]	Height [mm]	Net weight	Gross weight
GTEE1	Unit (1 pc.)	340	255	155	2,5 kg	3 kg

Application example

