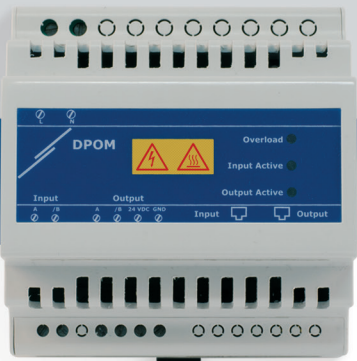


DPOM8-24/20

DIN rail PoM power supply & repeater



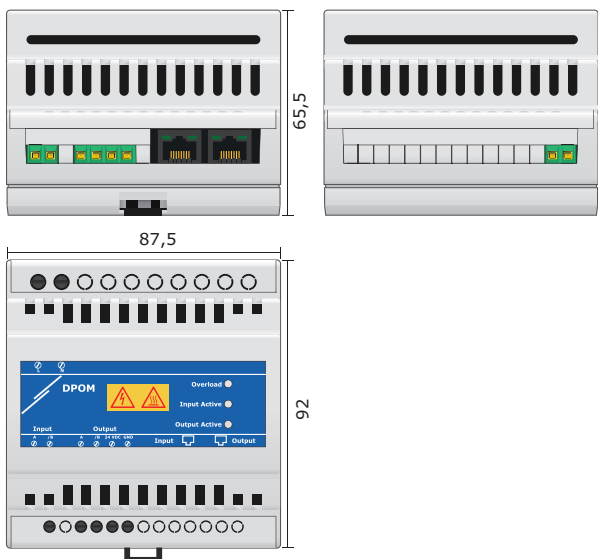
DIN rail mounted Power over Modbus supply modules with 24 VDC output and an integrated and fully isolated Modbus RTU communication line repeater with a transmitting side indication. The DPOM8 can also be used as a power supply module for Sentera sensors and switches.

Key features

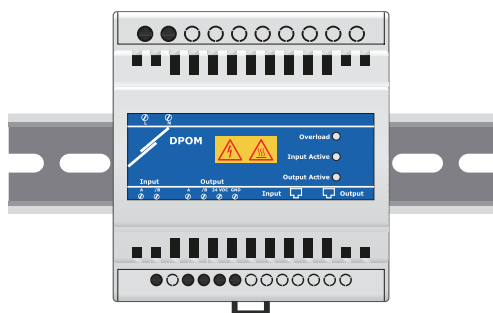
- Power over Modbus module with 24 VDC / 20 W integrated power supply
- Galvanic isolated half-duplex mode repeater for Modbus RTU communication
- Input and output connections with terminal blocks or an RJ45 connector
- Overload hiccup mode protection with red LED indications
- Asynchronous serial data transmission
- Input and output transmission with green LED indication
- Automatic baud-rate fitting up to 115,2 Kbps
- Distance up to 1.200 m
- Up to 32 modules can be connected to the DPOM8
- DIN rail mounting
- Enclosure: ABS plastic, colour: grey, RAL7035



Fixing and dimensions



DIN-rail mounting



Technical specifications

Output	24 VDC / 20 W	
Supply voltage	85–264 VAC / 50–60 Hz	
Protection standards	IP20	
Ambient conditions	Temperature	-20–40 °C
	Relative humidity	5–85 % rH, non-condensing

Wiring and connections

L	Supply voltage, Line
N	Supply voltage, Neutral
24 VDC	Power supply 24 VDC / 20 W
GND	Ground reference for power supply
A	Modbus RTU (RS485), signal A
/B	Modbus RTU (RS485), signal /B
Input	Modbus RTU communication RJ45 socket. (No integrated 24 VDC on this port)
Output	Power over Modbus communication RJ45 socket. (Modbus RTU + 24 VDC)

ATTENTION!

- When connecting longer lines, use the lowest possible baud rate.
- The input terminal blocks duplicate the input RJ45 socket.
- The output terminal blocks duplicate the output RJ45 socket.

Standards

- Low Voltage Directive 2014/35/EC
- EMC Directive 2014/30/EC
- RoHs Directive 2011/65/EC

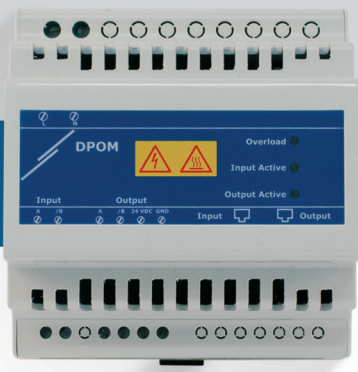


Global trade item numbers (GTIN)

Packaging	DPOM8-24-20
Unit	05401003001479
Box	05401003500354

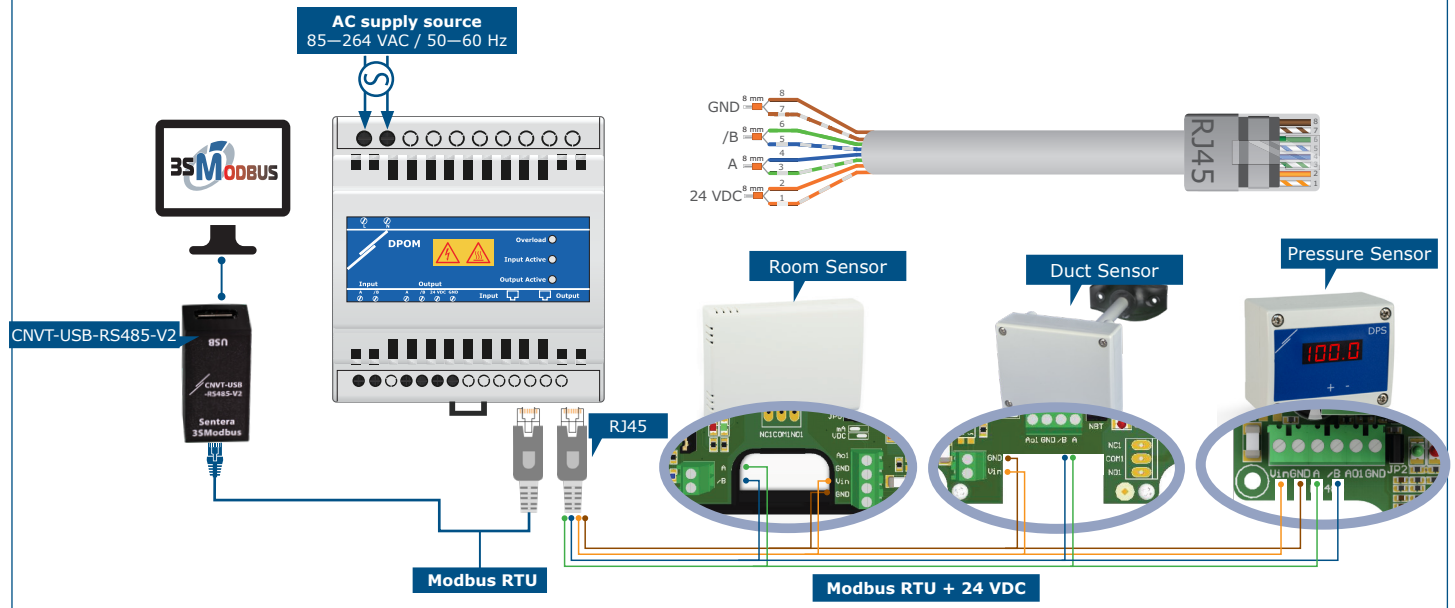
DPOM8-24/20

DIN rail PoM power supply & repeater

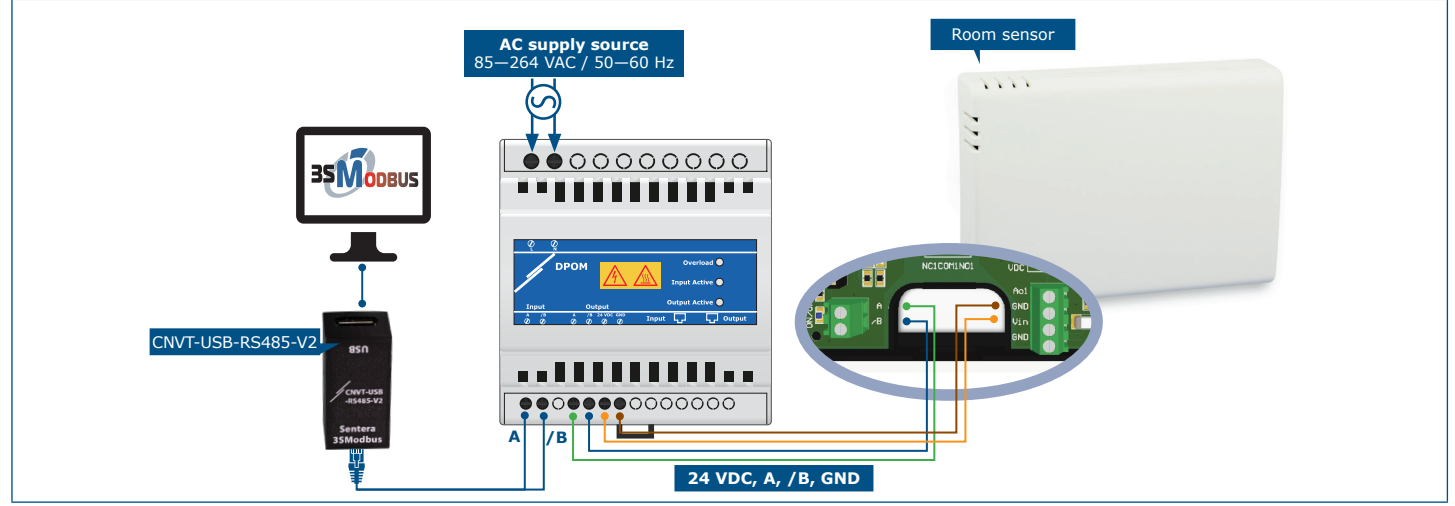


Application example

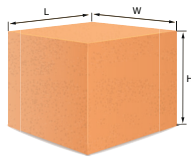
Example 1: Connections via RJ45 connector



Example 2: Connections via terminal block



Packaging



Article	Packaging	Length [mm]	Width [mm]	Height [mm]	Net weight	Gross weight
DPOM8-24-20	Unit (1 pc.)	95	90	85	0,175 kg	0,306 kg
	Box (36 pcs.)	590	380	280	6,30 kg	11,92 kg