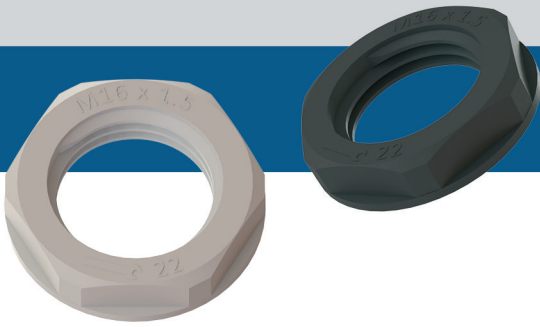


CN Cable gland nut



CN-XX are metric thread hexagonal locknuts intended for secure tightening of Sentera's appropriately sized CG series of cable glands. They ensure the sealing and termination and serve as a strain relief element for the cable.

Key features

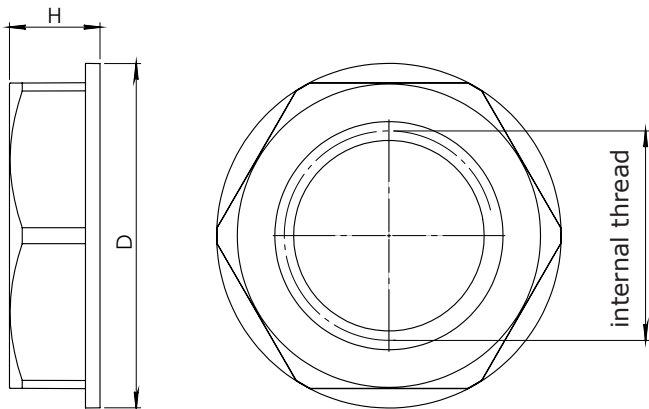
- Metric connection thread according to EN 50262
- Resistant to common fluids and solvents
- Lightweight
- Easy-to-install
- Easy-to-install
- Anti-vibration protection

Technical specifications

Material	Polyamide 6.0, unreinforced
Flammability rating	V.0
Temperature range	-30—80 °C



Dimensions



Article	D [mm]	H1 [mm]	Internal thread
CN-LG-M12 CN-BK-M12	19	5	M12x1.5
CN-LG-M16 CN-BK-M16	24	5	M16x1.5
CN-LG-M20 CN-BK-M20	28,6	6	M20x1.5

Note: The CG-M12/M16/M20 cable glands must be ordered separately.

Area of use

- For secure tightening of cable glands and accessories

Standards

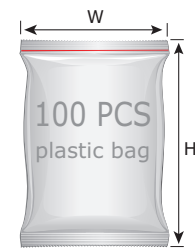
- RoHS Directive 2017/2102/EU



Article codes

Article code	Internal thread	Wrench size [mm]	Colour
CN-LG-M12	M12x1.5	3–6	grey (RAL 7035)
CN-LG-M16	M16x1.5	5–10	
CN-LG-M20	M20x1.5	8–13	black (RAL 9005)
CN-BK-M12	M12x1.5	3–6	
CN-BK-M16	M16x1.5	5–10	
CN-BK-M20	M20x1.5	8–13	

Packaging



Article	Packaging	Length [mm]	Width [mm]	Height [mm]	Net weight	Gross weight
CN-LG-M12 CN-BK-M12	Pack (100 pcs.)	-	170	230	0,38 kg	0,4 kg
	Box (1000 pcs.)	430	300	190	3,8 kg	5,5 kg
CN-LG-M16 CN-BK-M16	Pack (100 pcs.)	-	230	310	0,85 kg	0,9 kg
	Box (1000 pcs.)	580	380	280	8,5 kg	9,5 kg
CN-LG-M20 CN-BK-M20	Pack (100 pcs.)	-	260	350	1,24 kg	1,25 kg
	Box (1000 pcs.)	580	380	280	12,4 kg	13,2 kg

Global trade item numbers (GTIN)

Article	Unit	Box
CN-LG-M12	05401003000519	05401003500132
CN-LG-M16	05401003000526	05401003500149
CN-LG-M20	05401003000533	05401003500156
CN-BK-M12	05401003000489	05401003500101
CN-BK-M16	05401003000496	05401003500118
CN-BK-M20	05401003000502	05401003500125