

ATR-1

230 VAC autotransformer with terminal block



The ATR-1 series of autotransformers are compact transformers designed for switchboard mounting or applications requiring output voltages lower than the input voltage. They reduce the primary voltage in steps.

Key features

- Wide power range: 1,5–20 A
- Eight output voltages available at the secondary side
- Resin encapsulated
- Primary / input voltage: 230 VAC $\pm 10\%$ / 50–60 Hz
- Construction class: II
- Insulation class: Nema 155 / F
- Screw terminal block for easy connection
- Simple switchboard mounting thanks to robust mounting brackets
- Good corrosion protection and low noise

Technical specifications

Input voltage	230 VAC $\pm 10\%$	
Frequency	50–60 Hz	
Dielectric sensitivity	2.500 VAC	
Insulation class	Nema F (155 °C)	
Protection standard	IP20 (according to EN 60529)	
Ambient conditions	Temperature	max. 35 °C
	Rel. humidity	< 90 % rH (non-condensing)

Area of use

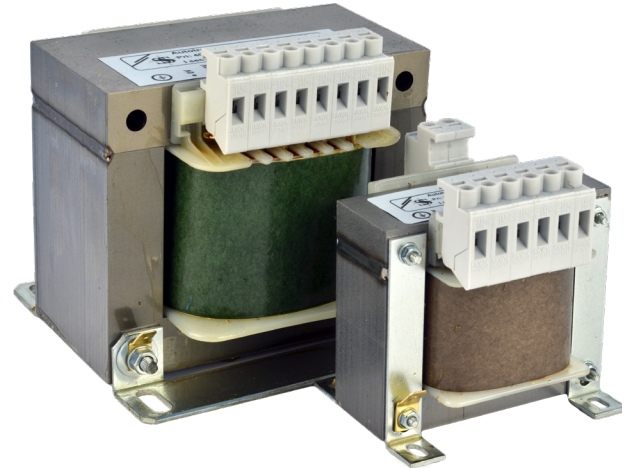
- Switchboard mounting or applications where the output voltages need to be lower than the input voltage
- Autotransformers are used in transformer fan speed controllers to control the speed of voltage controllable motors (pumps and fans) in HVAC systems
- For indoor use only

Article codes

Article code	Rated max. current [A]
ATR-1-15L25	1,5 A
ATR-1-25L25	2,5 A
ATR-1-35L25	3,5 A
ATR-1-50L25	5 A
ATR-1-75L25	7,5 A
ATR-1100L25	10 A
ATR-1130L25	13 A
ATR-1160L25	16 A
ATR-1200L25	20 A

Secondary / output voltages [VAC]

VAC	0	80	100	120	150	170	190	230
-----	---	----	-----	-----	-----	-----	-----	-----



Wiring and connections

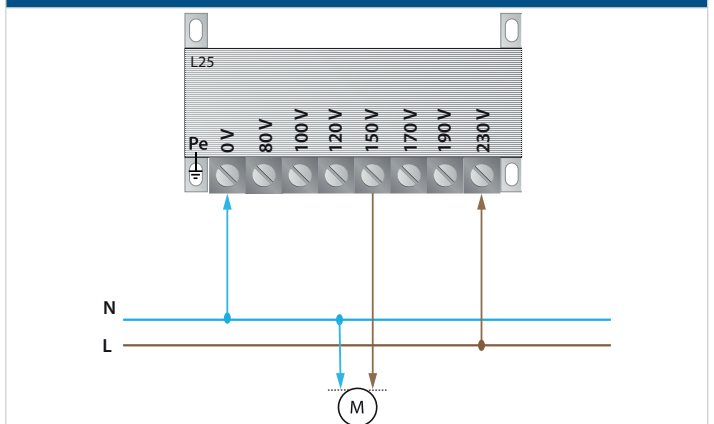
L	Primary voltage, line (230 VAC / 50–60 Hz)
N	Primary voltage, neutral
Pe	Earth terminal

Standards

- Low Voltage Directive 2014/35/EC
- EMC Directive 2014/30/EC
- WEEE Directive 2012/19/EU
- RoHS Directive 2011/65/EU



Wiring diagram

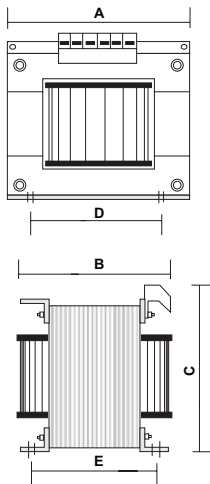


ATR-1

230 VAC autotransformer with terminal block



Fixing and dimensions



Article code	A [mm]	B [mm]	C [mm]	D [mm]	E [mm]	Net weight [kg]
ATR-1-15L25	75	65	83	62,5	42,5	1,60
ATR-1-25L25	84	70	90	70	50,5	2,15
ATR-1-35L25	84	87	90	70	62	3,10
ATR-1-50L25	108	90	112	90	66	3,80
ATR-1-75L25	120	120	122	100	92	5,80
ATR-1100L25	135	128	135	112,5	92	7,50
ATR-1130L25	150	140	144	125	105	9,60
ATR-1160L25	150	140	144	125	105	11,50
ATR-1200L25	174	142	160	145	110	13,20