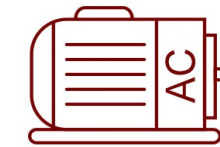




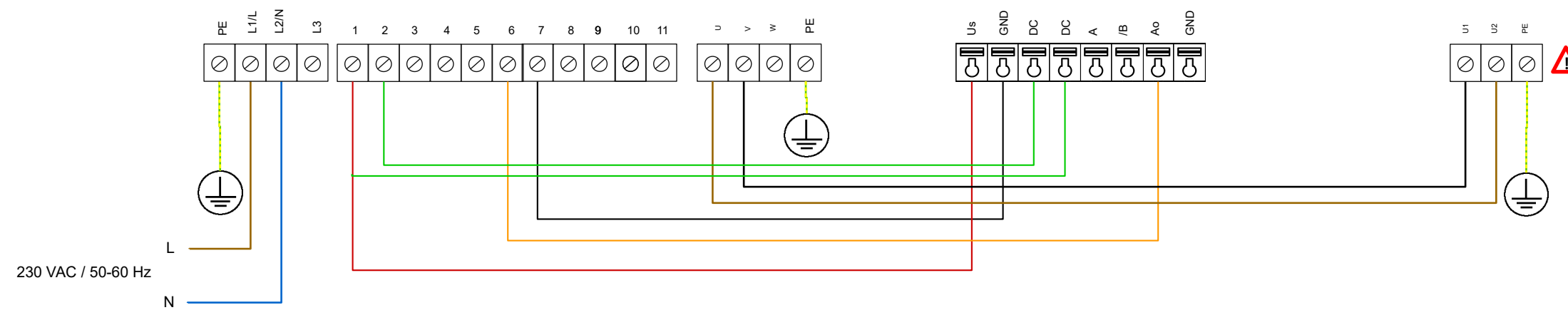
FI-E11043E2



SDP-M010-DC



Induction Motor



Consult the fan manufacturer for the correct wiring.

Sentera products		External products	Parameters settings			
Article codes	Description	Induction Motor	Article codes	Parameters	Values	Descriptions
FI-E11043E2 SDP-M010-DC	Variable speed control for 1-phase 230 Volt motors. The maximum motor current is 4,3 A. The fan speed can be manually set via the remote potentiometer. At zero position, the motor keeps on running at minimum speed. The supply voltage is 1-phase 230 Volt.					