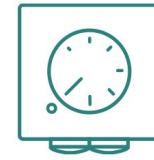
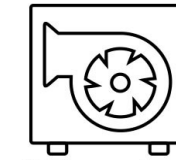


EVS-1-15-DM

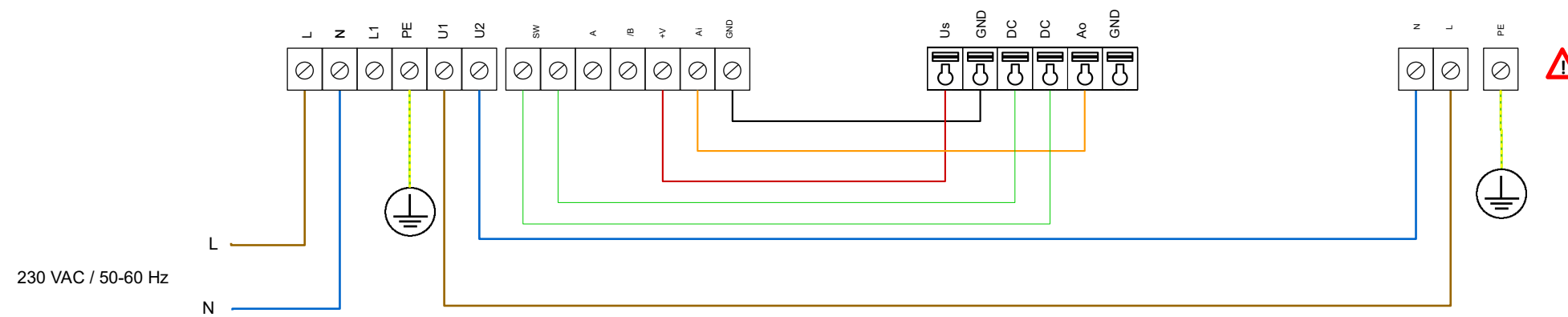


SDP-X10K-NA



AC fan – voltage
controllable motor

1 phase Motor



Consult the fan manufacturer for the correct wiring.

Sentera products		External products	Parameters settings			
Article codes	Description	AC motor 1,5 A	Article codes	Parameters	Values	Descriptions
EVS-1-15-DM SDP-X10K-NA	Remote variable speed control for single-phase voltage controllible motors. The maximum motor current is 1,5 A. Typically, this solution is used to control AC fans or pumps in HVAC applications. The motor speed can be selected via the external potentiometer. At zero position, the motor stops. It is advisable to limit cable length between potentiometer and fan speed controller.					